

CZT

温州意华接插件股份有限公司

WENZHOU YIHUA CONNECTOR CO., LTD

TEL: 0086-577-62811899 62810299 62822222

FAX: 0086-577-62815159 邮编(P.C.): 325606

地址: 中国浙江省乐清市翁垟街道后西工业区

ADD: Houxi Industry park, Wengyang Street, Yueqing, Zhejiang, China

Http: //www.chinaconnector.com

Http: //www.czt.com.cn

Http: //www.czt.cn

E-mail: info@chinaconnector.com

E-mail: czt@czt.cn

东莞市泰康电子科技有限公司

DONGGUAN TECONN ELECTRONICS TECHNOLOGY CO.,LTD

ADD: 东莞市虎门镇S358省道村头管理区意华股份工业园

TEL: 0769-85322066

FAX: 0769-85440789

东莞市意兆电子科技有限公司

DONGGUANYIZHAO ELECTRONIC CO.,LTD

ADD: 东莞市虎门镇S358省道村头管理区意华股份工业园

TEL: 0769-85399156 86240111

FAX: 0769-86240238

东莞市正德连接器有限公司

ZHENGDE CONNECTOR(DONGGUAN)CO.,LTD

ADD: 东莞市虎门镇S358省道村头管理区意华股份工业园

TEL: 0769-85440658

FAX: 0769-85440879

苏州意华通讯接插件有限公司

SUZHOU YIHUA COMMUNICATED CONNECTOR CO.,LTD

ADD: 江苏省吴江市汾湖经济开发区临沪大道东(北侧)

TEL: 0512-82078817

FAX: 0512-82078858

意华台湾业务窗口

益松科技股份有限公司

E.S GLOBALTOP TECHNOLOGY CO., LTD

ADD: 中壢市中央西路二段30号11楼之2

TEL: +863 4917 626

FAX: +863 4917 707

北京办事处

ADD: 北京市海淀区知春路6号锦秋知春5号楼E2一层

TEL: 010-82356566;82615922

FAX: 010-82356630

CZT® 意华股份

RJ45 CONNECTOR WITH *Series*
INTEGRATED MAGNETICS



集成变压器RJ45连接器制造基地

Rj45 Magnetic Connector Manufacturing Base Introduction

公司分别在江苏、重庆、广东三地设立生产基地，总建筑面积30,000平方米，员工近千人，并在华南、华东、华北、台湾等地设立多个销售网点。

We set up 3 manufactures base in Jiangu, Chongqing and Guangdong, with a total area of 30,000 square meters, nearly 1,000employees, and also have a number of sales outlets in South Chain, East China, North China, Taiwan.



● COMPANY PROFILE 公司简介

温州意华接插件股份有限公司成立于1995年，位于浙江省乐清市，是一家通过ISO9001:2008质量管理体系认证、ISO14001:2004环境管理体系认证、IEC QC080000有害物质管理体系认证，并集新产品研发、生产、销售为一体的综合型企业。公司专业生产网络类接插件(RJ11、RJ45插头/插座，RJ45集成变压器)、消费电子连接器(USB、HDMI、DP、卡座)、光电类连接器(SFP系列产品)、电气电源连接器(接线端子、电源插座)、消费性电子连接线束、工业及汽车、航空电子连接线束等配套产品，产品通过美国UL认证。

经过近二十年的不懈努力，公司已发展成国内最具实力的通讯连接器生产商之一，同时与全球多家跨国企业：华为、中兴、FCI、富士康、伟创力、华硕、亚旭、广达、仁宝、冠捷、TCL、松下、佳能、NEC等著名企业建立了忠实的合作伙伴关系，并铸造了其知名品牌-CZT。

公司在东莞、苏州设立四家分公司，在北京、台湾设有办事处，现有员工4000余名，拥有完善的质量检测仪器、产品自动化生产设备及模具加工设备。

我们时刻准备为您提供最好的服务。

WENZHOU YIHUA CONNECTOR CO., LTD is establish on 1995,located in Yueqing City, Zhejiang Province.It is an ISO9001:2008 Quality Management System registered, ISO14001 : 2004 Environmental Management System registered, IEC QC080000 Hazardous Substance Process Management system registered manufacturer. Our company is an integrated enterprise which includes the new products research and development, production ,sales and trade. We special produce Network connector(RJ11,RJ45 plug and Jack,RJ45+Transformer Jack),consumer electric connector(USB,HDMI,DP,Card connector),Photoelectric series connector(SFP series products), electrical power supply connector (terminal block, AC outlet), Consumer electronics connection wiring harness, Industrial and automotive , Aviation electronic connection wiring harness, The products are UL approved.

After about 20 years hard working, Now we are one of leading supplier in the communication connectors market, Many world -famous companies such as HUAWEI, ZTE, FCI, FOXCONN, FLEXTRONICS, ASUS, TCL, QUANTA COMPUTER, COMPAL, AOC, PANASONIC, CANON, NEC ect have chosen us as their OEM supplier, and it make our company to be the famous brand-CZT.

We have set 4 factories in Dongguan, Suzhou and sales office in Beijing, Taiwan. Over 4500 staffs are employed in the company, the most comprehensive quality inspection instruments, Automated production equipment and tooling development equipment can ensure us to offer you the best service always.



目录 contents

1. Equipment	P01
2. RJ45 INTEGRATED CONNECTOR	P02
3. 1*N SERIES 10/100&1000 BASE-T	P03-P15
4. 2*N SERIES 10/100&1000 BASE-T	P16-P25
5. RJ45+USB SERIES 10/100/1000BASE-T	P26-P29
6. 2*N SERIES 10G BASE-T	P30-P31

抓住机遇，为**意华**之崛起而精诚团结，拼搏创新



冷热冲击箱Thermal Shock Tester 高低温试验箱High/Low Temperature Chamber 盐雾试验机Salt Spray Tester 自动插拔力试验机 Automatic Mating and Un-mating Force Tester



荧光分析仪X-Ray RoHS Analyzer 包装跌落试验机Drop Test Equipment 瞬断测试仪Moment Disconnection Tester



网络/频谱/阻抗分析仪Network/Spectrum/ Impedance Analyzer (Agilent 4395A) 精密LCR测试仪Precision LCR Meter (Agilent E4890A) 绝缘耐压自动测试仪 Insulation Withstand Voltage Tester 耐压测试仪Hipot Tester



LED自动测试仪LED Automatic Test System 网络分析仪ENA Series Network Analyzer (Agilent E5061A) 二次元测试仪 Quadratic Element Tester 变压器综合测试仪 Automatic Transformer Test System

CZT RJ45 magnetic connector are designed and manufactured to comply with IEEE802.3 and EIA364 standard, also comply RoHS requirement. They are used in computing, networking, high-speed data transmission, power supply, EMI suppression, ESD/lightning protection and consumer electronics.

Features and benefits

- High performance on EMI suppression
- POE function
- ESD/Lightning protection

Physical

- Material:
Contact :Phosphor Bronze
Housing : Thermoplastic UL94V_0
Color :Black/Yellow/Gray
Shield: Metal alloy
- Finish:
Contact:Gold plating on contact area with 50u,30u,15u,6u...etc option.
Shield: Nickel plating.

Electrical specification

- Meets IEEE 802.3 specification
- 350µH minimum OCLwith 8mA DC base current
- Voltage rating :48VDC
- Current rating: 100mA for magnetic;
Dielectric strength :1500VRMS For 1minute Min
- Insulation resistance: 500MOHM MIN @500VDC
- Contact resistance:30 MILL.OHM Max
- Speed: 10M/100M/1000M/10000M

Mechanical

- Insertion force : 5lbs Max
- Extraction force : 5lbs Max
- Durability:750 times
- Dimension comply with FCC requirement
- Suitable for CAT 5 & 6 Fast Ethernet Cable or better UTP

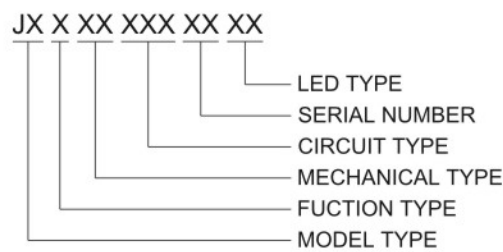
Environment

- Operating temperature :0°C~+70°C
- Storage temperature :-40°C~+85°C
- RoHS compliant
- Wavesoldering: 260°C/10S

Reference information

- Designed In: millimeters
- Packaging : tray packing and tape&Reel
- Dimension tolerance: +/-0.254mm(if no specified)
- The circuits are only for reference, we could design different circuit for different mechanical structure according to customer requirement

PART NUMBERING RULES



RJ45 INTEGRATED CONNECTOR PART NUMBERING

CZT ICM connector 1*N TAB DOWN-10/100&1000 Base -T

10/100&1000 Base-T RJ45 1xN TAP DOWN Integrated Connector Module designed to support such applications as: ADSL modems, Cable modems, Servers and Video on Demand.



Features and Benefits:

- RoHS peak wave solder temperature rating 260°C
- Suitable for CAT 5 & 6 Fast Ethernet Cable or better UTP

Electrical Performance Summary:

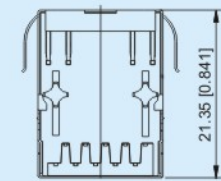
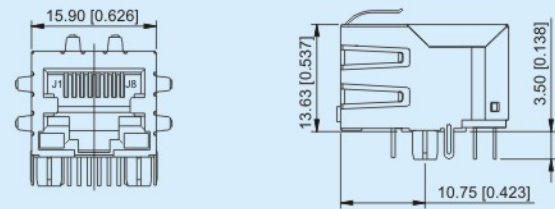
- Meets IEEE 802.3 specification
- 350µH minimum OCL with 8mA DC bias current
- High performance for maximum EMI suppression

Electrical specifications@25°C-Operating temperature 0°C~+70°C

Part No.	Turn Ratio (+/-2%)	LED L/R	Insertion Loss (dB TYP)		Return Loss (dB TYP)				Cross Talk (dB TYP)	CMRR (dB TYP)	Hipot (Vdc Min) 1 Minute	Circuit	Mechanical
			1-100 MHZ	125 MHZ	1-30 MHZ	30-60 MHZ	60-80 MHZ	80-100 MHZ					
JDFD10175006	1:1	N/A	-1.0	/	-18	-12	-10	/	-30	-30	2250	FD1017	A
JDFD2017H101	1:1	G/Y	-1.0	/	-18	-12	-10	/	-30	-30	2250	FD2017	C
JDFD4017A304	1:1	N/A	-1.0	/	-18	-12	-10	/	-30	-30	2250	FD4017	D
JDFD80178101	1:1	N/A	-1.0	/	-18	-12	-10	/	-30	-30	2250	FD8017	E
JSFD10170700	1:1	N/A	-1.0	/	-18	-12	-10	/	-30	-30	2250	FD1017	B
JDGD10090001	1:1	Y/O&G	-1.0	-1.2	-18	-12	-10	-8	-30	-30	2250	GD1009	A
JDGD20680201	1:1	G/Y	-1.0	-1.2	-18	-12	-10	-8	-30	-30	2250	GD2068	C
JDGD40091817	1:1	G/G&Y	-1.0	-1.2	-18	-12	-10	-8	-30	-30	2250	GD4009	D
JDAD13550004	1:1	Y/G	-1.0	/	-18	-12	-10	/	-30	-30	2250	AD1355	A

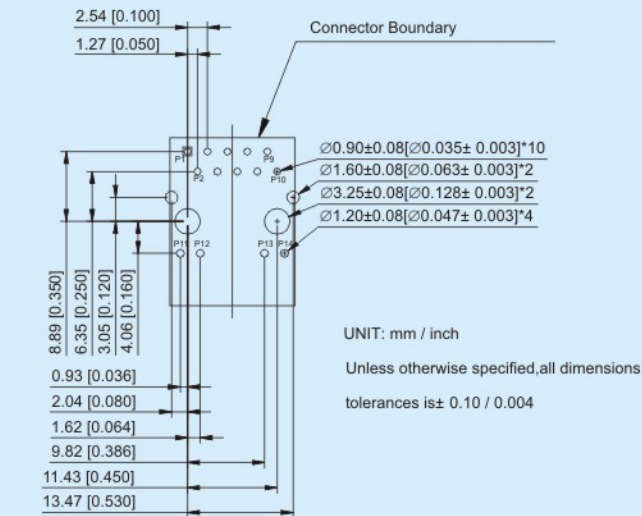
Shield, Un-shield, EMI Tap, No EMI tap, LED, No LED, Post form, Ground tap position could be as option

Shield, Un-shield, EMI Tap, No EMI tap, LED, No LED, Post form, Ground tap position could be as option



UNIT : mm / inch
Unless otherwise specified, all dimensions
tolerances is ± 0.254 / 0.010.

Recommended PWB Layout (Component Side View):



Plug In Side

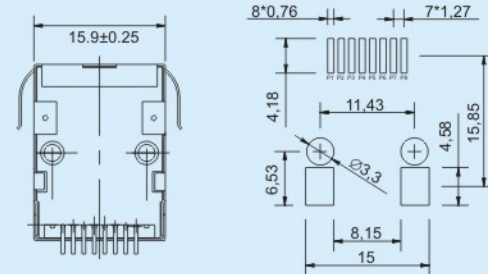
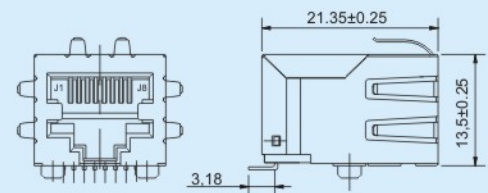
P.C.B RECOMMENDED
HOLE LAYOUT
UNIT:mm

P.C.B RECOMMENDED
HOLE LAYOUT
UNIT:mm

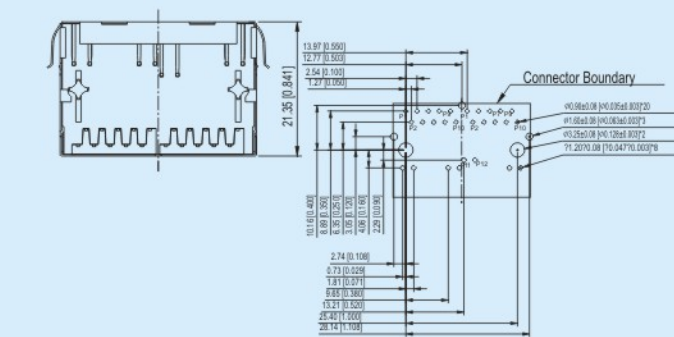
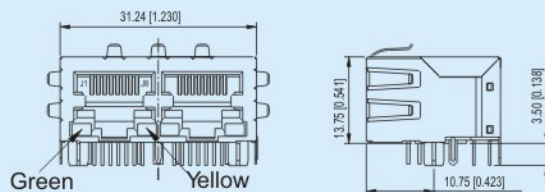
A

B

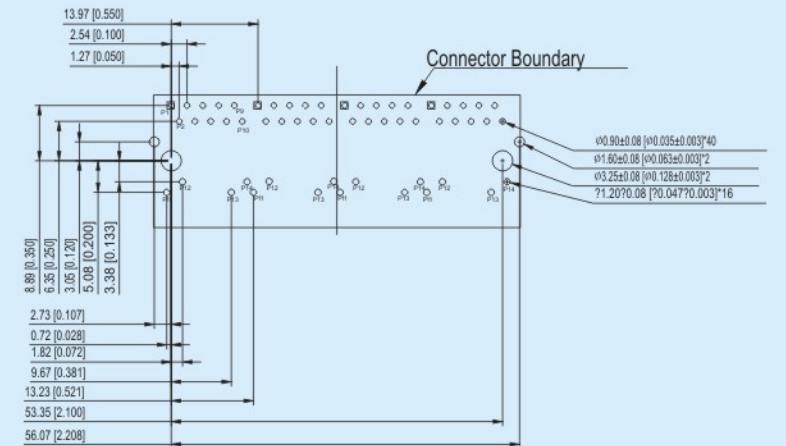
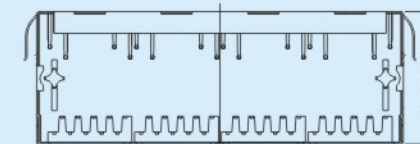
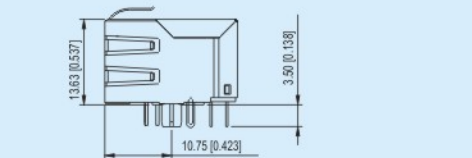
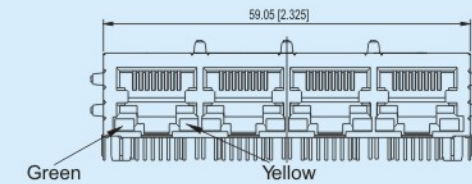
C



P.C.B RECOMMENDED
HOLE LAYOUT
UNIT:mm

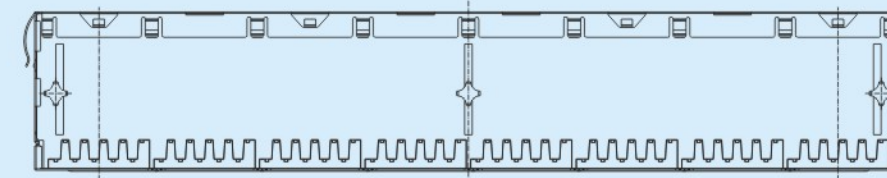
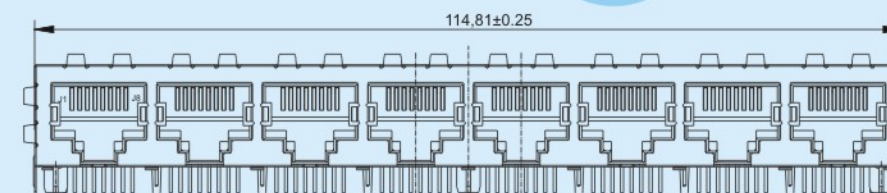


P.C.B RECOMMENDED
HOLE LAYOUT
UNIT:mm



D

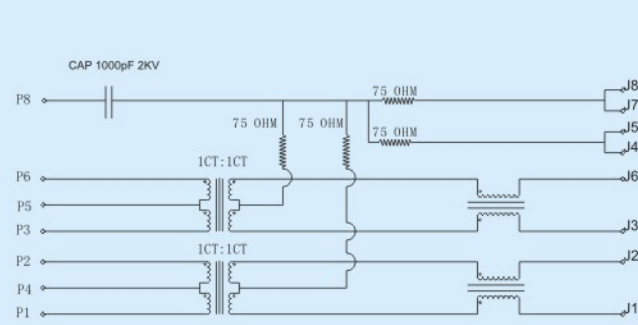
E



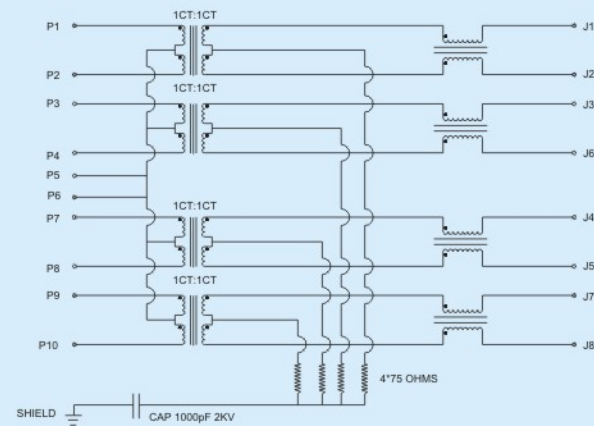
P.C.B RECOMMENDED
HOLE LAYOUT
UNIT:mm

Schematics

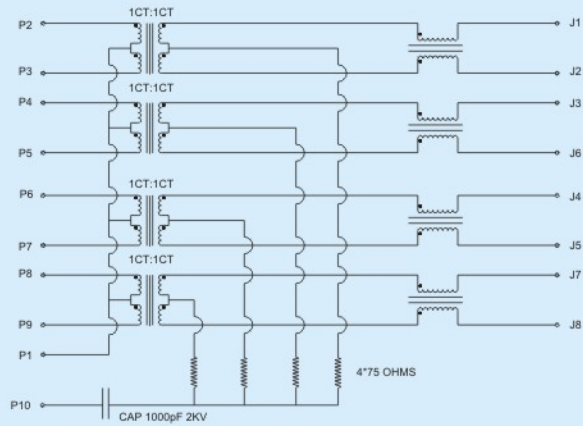
FD1017/FD2017/FD4017/FD8017



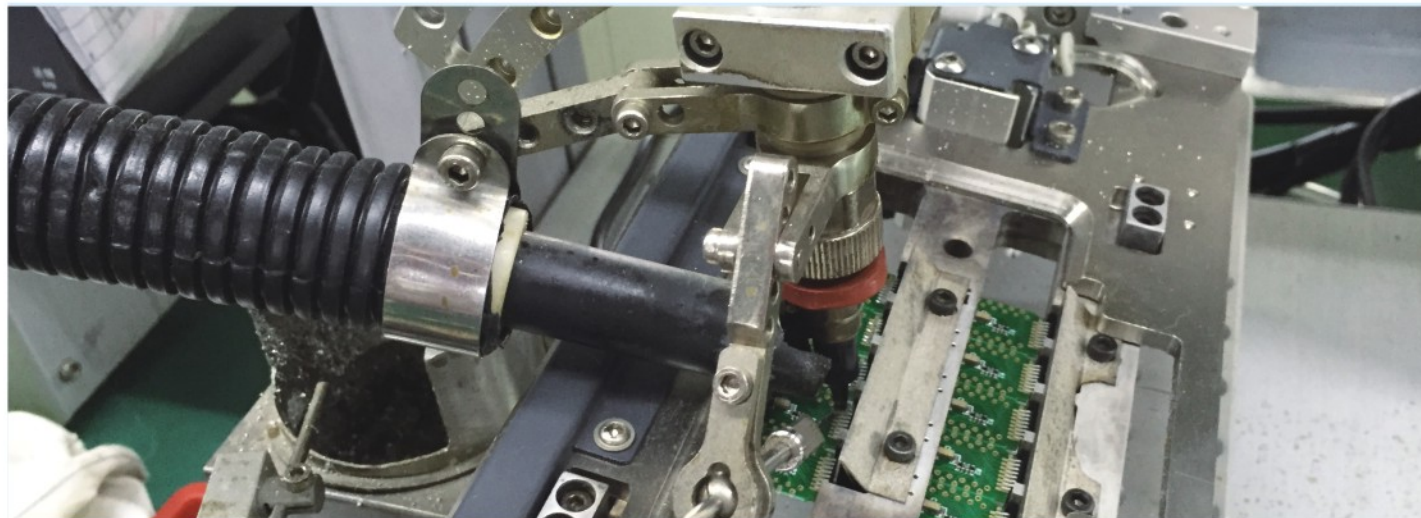
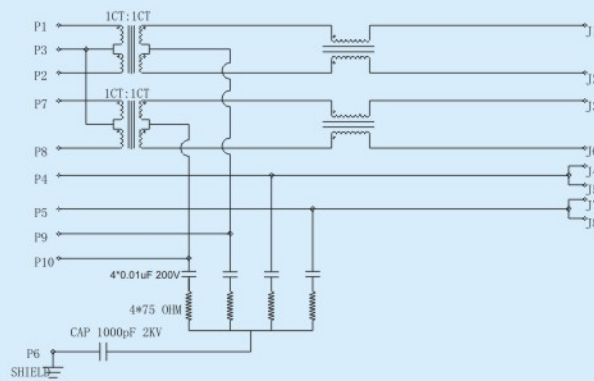
GD1009/GD4009



GD2068



AD1355



CZT ICM connector 1XN TAP UP - 10/100&1000 Base-T

10/100&1000 Base-T RJ45 1xN TAB UP Integrated Connector Module designed to support such applications as: ADSL modems, LAN-on-Motherboard (LOM), Hub and Switches.



Features and Benefits:

- RoHS peak wave solder temperature rating 260°C
- Suitable for CAT 5 & 6 Fast Ethernet Cable or better UTP

Electrical Performance Summary:

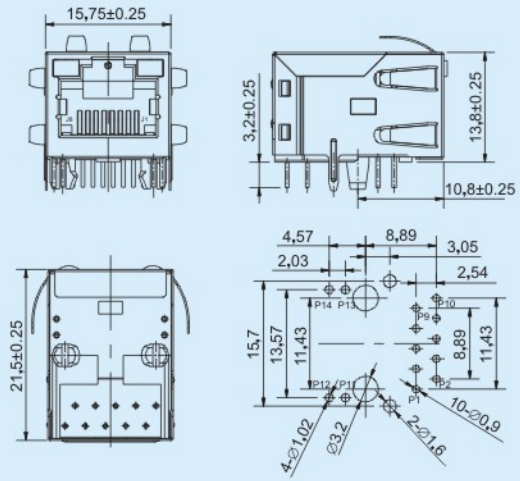
- Meets IEEE 802.3 specification
- 350µH minimum OCL with 8mA DC bias current
- High performance for maximum EMI suppression

Electrical specifications@25°C-Operating temperature 0°C~+70°C

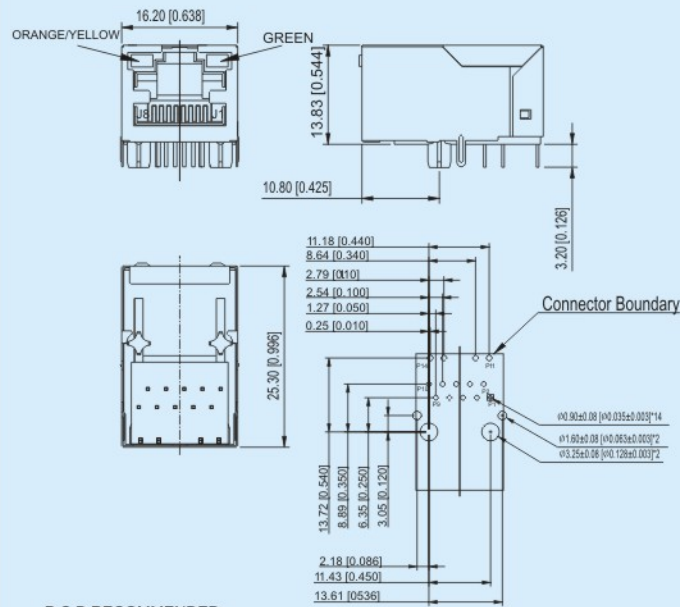
Part No.	Turn Ratio (+/-3%)	LED L/R	Insertion Loss (dB TYP)		Return Loss (dB TYP)				Cross Talk (dB TYP)	CMRR (dB TYP)	Hipot (Vdc Min)	Circuit	Mechanical
			1-100 MHZ	125 MHZ	1-30 MHZ	30-60 MHZ	60-80 MHZ	80-100 MHZ					
JDFU11690204	1:1	G/Y	-1.0	/	-18	-12	-10	/	-30	-30	1500	FU1169	A
JSFU13050000	1:1	N/A	-1.0	/	-18	-12	-10	/	-30	-30	1500	FU1305	G
JDFU41590204	1:1	G/Y	-1.0	/	-18	-12	-10	/	-30	-30	1500	FU4159	J
JDFU82490001	1:1	Y/G	-1.0	/	-18	-12	-10	/	-30	-30	1500	FU8249	M
JDFU10270204	1:1	G/Y	-1.0	/	-18	-12	-10	/	-30	-30	1500	FU1027	H
JDFU10272001	1:1	Y/G	-1.0	/	-18	-12	-10	/	-30	-30	1500	FU1027	D
JDFU13080217	1:1	Y/G	-1.0	/	-18	-12	-10	/	-30	-30	1500	FU1308	F
JDFU20270304	1:1	G/Y	-1.0	/	-18	-12	-10	/	-30	-30	1500	FU2027	I
JDFU41200307	1:1	G/G	-1.0	/	-18	-12	-10	/	-30	-30	1500	FU4120	K
JDFU12500201	1:1	Y/G	-1.0	/	-18	-12	-10	/	-30	-30	1500	FU1250	B
JDFU63110001	1:1	Y/G	-1.0	/	-18	-12	-10	/	-30	-30	1500	FU6311	L
JDBU14400001	1:1	Y/G	-1.0	/	-18	-12	-10	/	-30	-30	1500	BU1440	C
JDGU11880143	1:1	Y/O&G	-1.0	-1.2	-18	-12	-10	-8	-30	-30	2250	GU1188	A
JDGU11820136	1:1	Y/O&G	-1.0	-1.2	-18	-12	-10	-8	-30	-30	2250	GU1182	B
JDGU16160222	1:1	G&O/Y	-1.0	-1.2	-18	-12	-10	-8	-30	-30	2250	GU1616	C
JDGU13060207	1:1	G/G	-1.0	-1.2	-18	-12	-10	-8	-30	-30	2250	GU1306	E
JDGU41490000	1:1	N/A	-1.0	-1.2	-18	-12	-10	-8	-30	-30	2250	GU4149	J
JSGU10020000	1:1	N/A	-1.0	-1.2	-18	-12	-10	-8	-30	-30	2250	GU1002	G

Shield, Un-shield, EMI TAP, No EMI TAP, LED, No LED, Post form, Ground Tap position could be as option

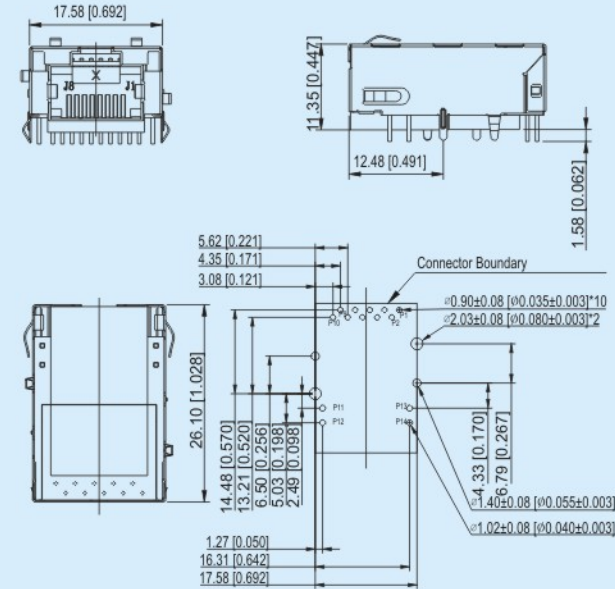
Shield, Un-shield, EMI TAP, No EMI TAP, LED, No LED, Post form, Ground Tap position could be as option



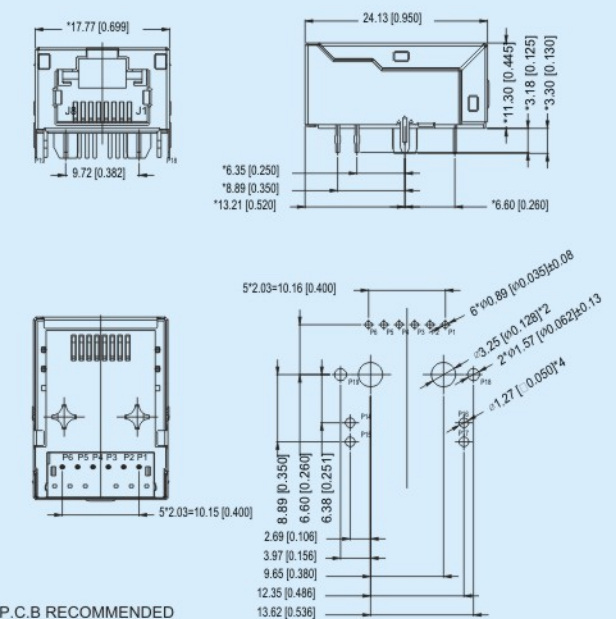
P.C.B RECOMMENDED HOLE LAYOUT UNIT:mm



P.C.B RECOMMENDED HOLE LAYOUT UNIT:mm



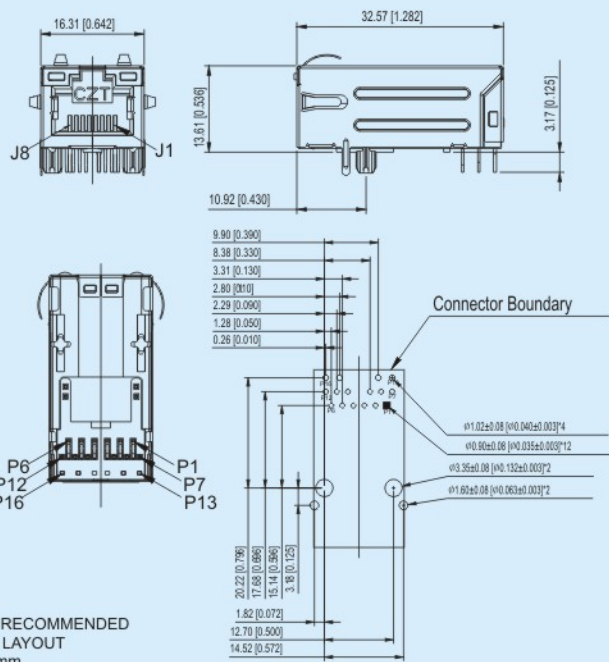
P.C.B RECOMMENDED HOLE LAYOUT UNIT:mm



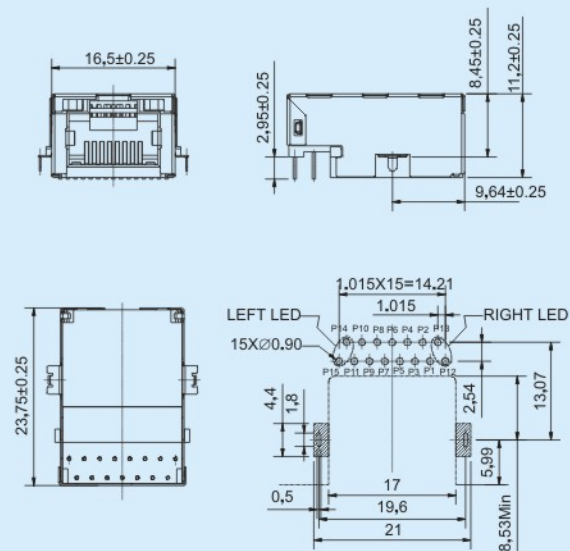
P.C.B RECOMMENDED HOLE LAYOUT UNIT:mm

A B
C D

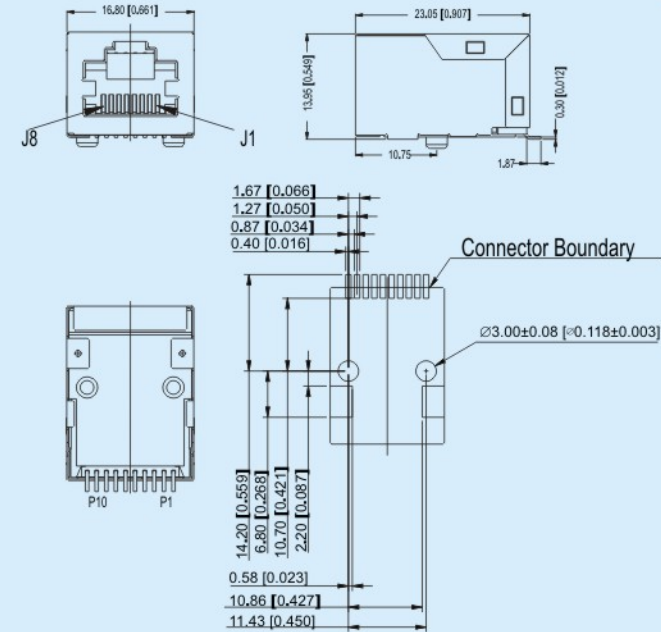
E F
G H



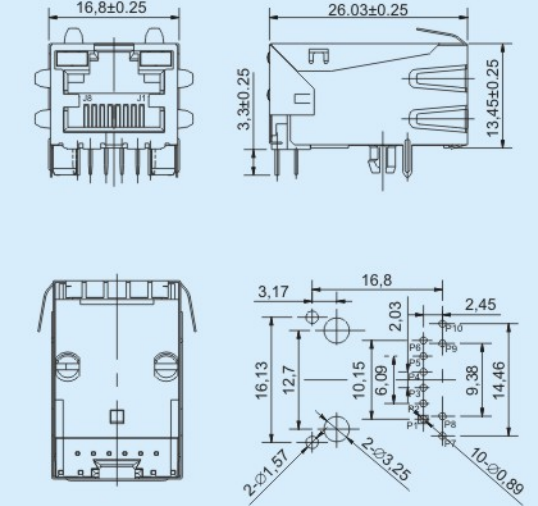
P.C.B RECOMMENDED HOLE LAYOUT UNIT:mm



P.C.B RECOMMENDED HOLE LAYOUT UNIT:mm

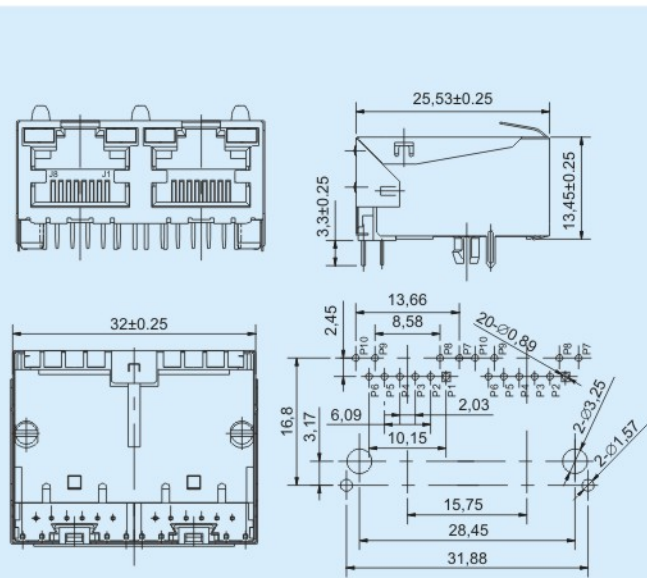


P.C.B RECOMMENDED HOLE LAYOUT UNIT:mm

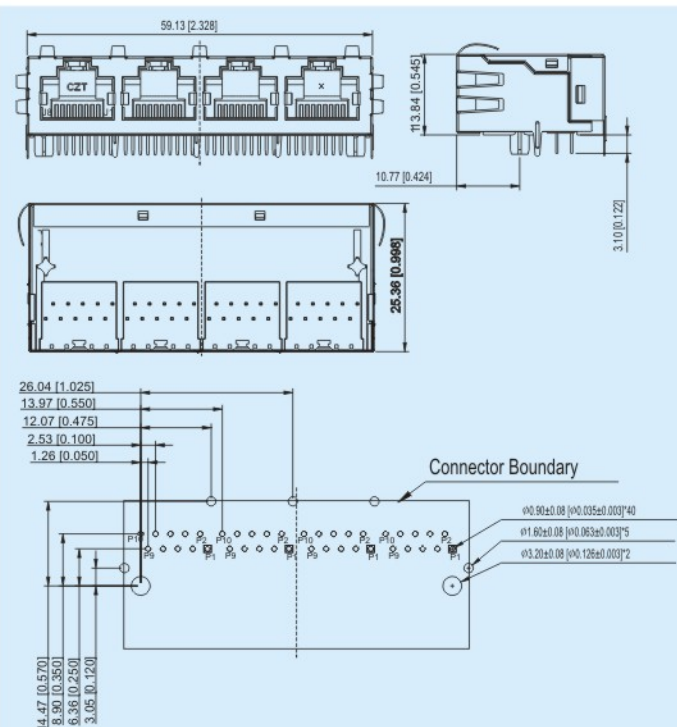


P.C.B RECOMMENDED HOLE LAYOUT UNIT:mm

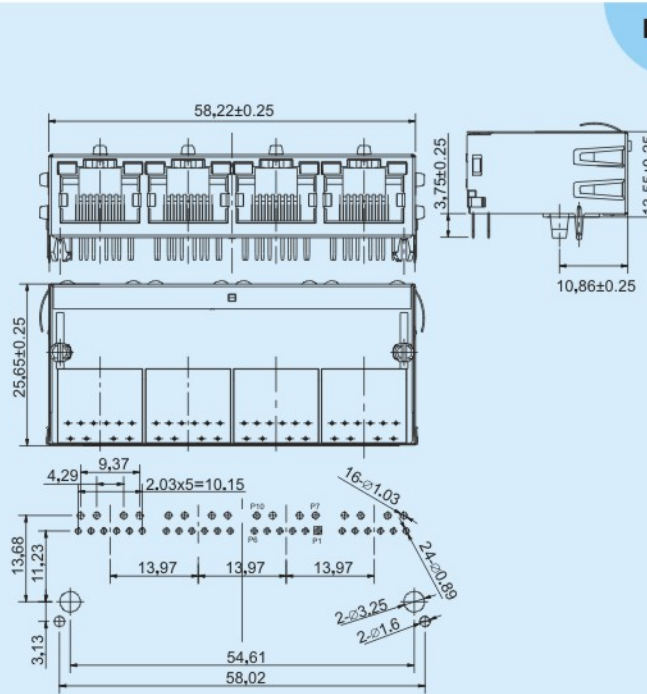
Shield, Un-shield, EMI TAP, No EMI TAP, LED, No LED, Post form, Ground Tap position could be as option



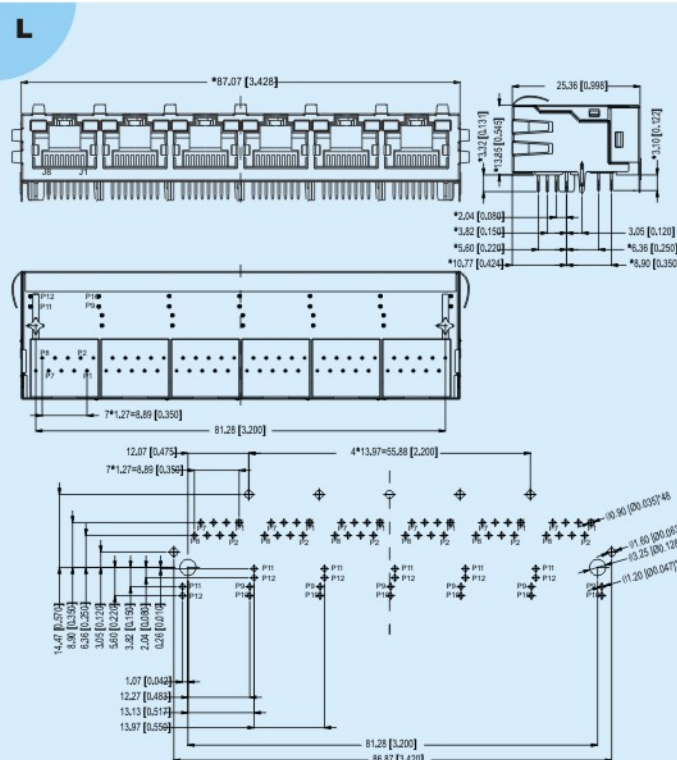
P.C.B RECOMMENDED
HOLE LAYOUT
UNIT:mm



P.C.B RECOMMENDED
HOLE LAYOUT
UNIT:mm

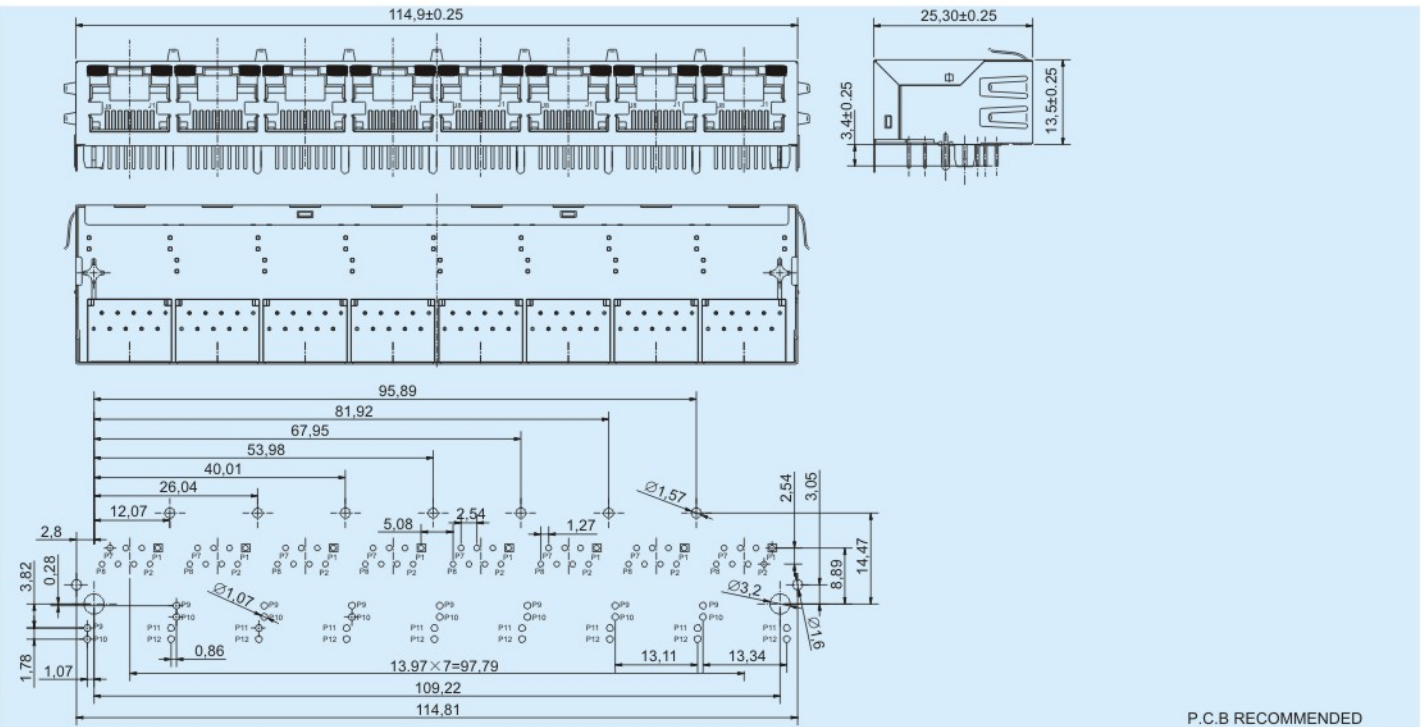


P.C.B RECOMMENDED
HOLE LAYOUT
UNIT:mm

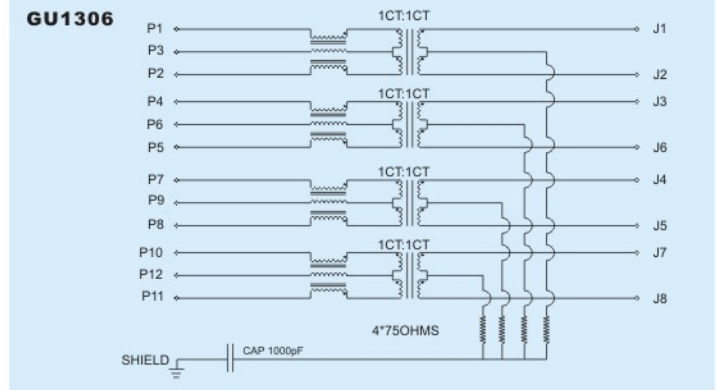
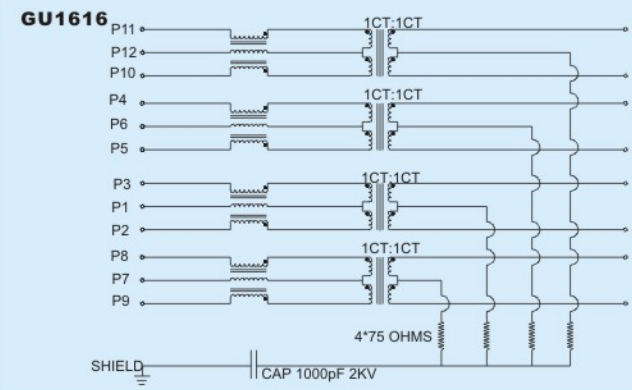
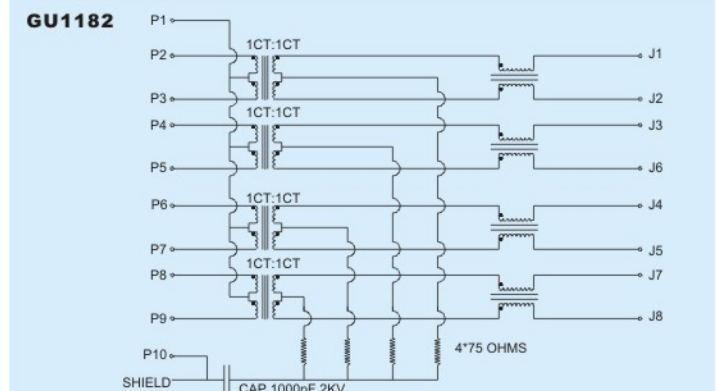
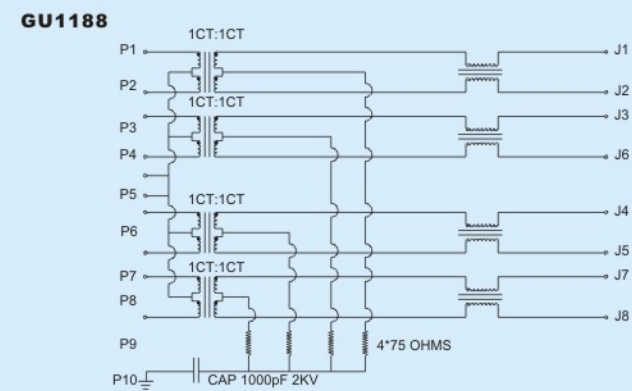


P.C.B RECOMMENDED
HOLE LAYOUT
UNIT:mm

Shield, Un-shield, EMI TAP, No EMI TAP, LED, No LED, Post form, Ground Tap position could be as option

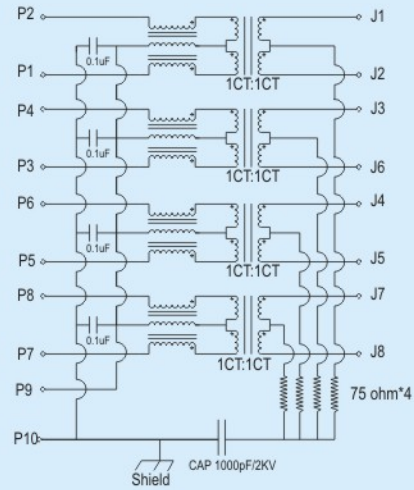


P.C.B RECOMMENDED
HOLE LAYOUT
UNIT:mm

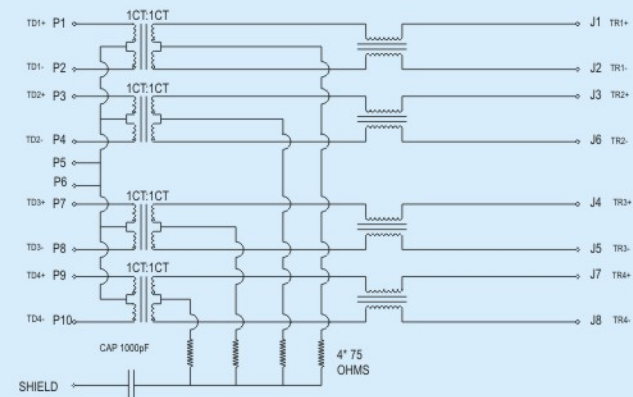


Schematics

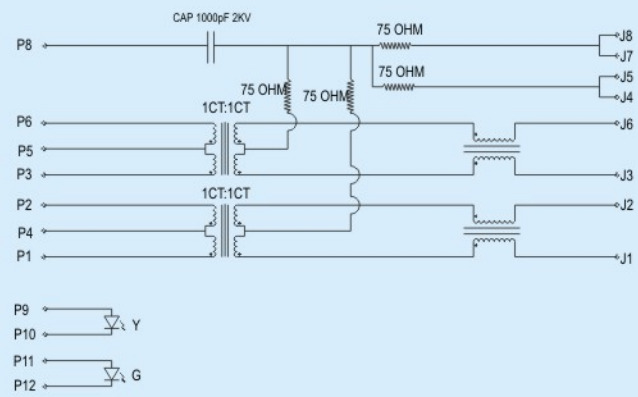
GU4149



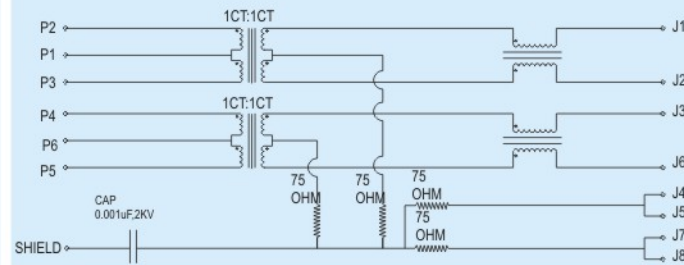
GU1002



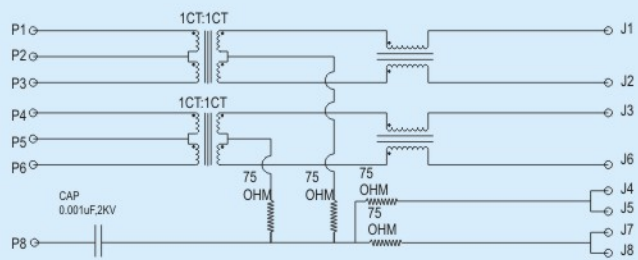
FU1169/FU1305/FU4159/FU8249



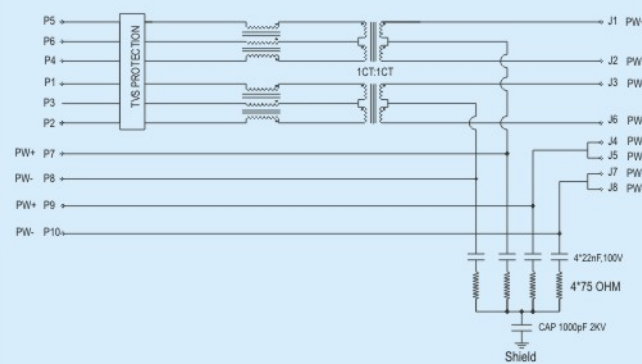
FU1027/FU1308/FU2027/FU4120



FU1250/FU6311



BU1440



CZT ICM connector 1X1 10/100&1000 Base-T Vertical Jack

10/100&1000 Base-T RJ45 Vertical Jack Integrated Connector Module designed to support such applications as: ADSL modems, LAN-on-Motherboard (LOM), Hub, Video and Switches.



Features and Benefits:

- RoHS peak wave solder temperature rating 260°C
- Suitable for CAT 5 & 6 Fast Ethernet Cable or better UTP

Electrical Performance Summary:

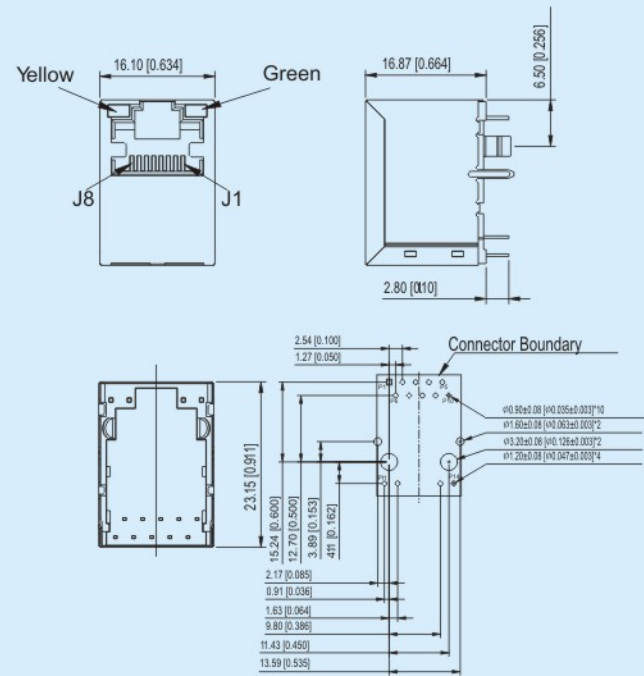
- Meets IEEE 802.3 specification
- 350µH minimum OCL with 8mA DC bias current
- High performance for maximum EMI suppression

Electrical specifications@25°C-Operating temperature 0°C~+70°C

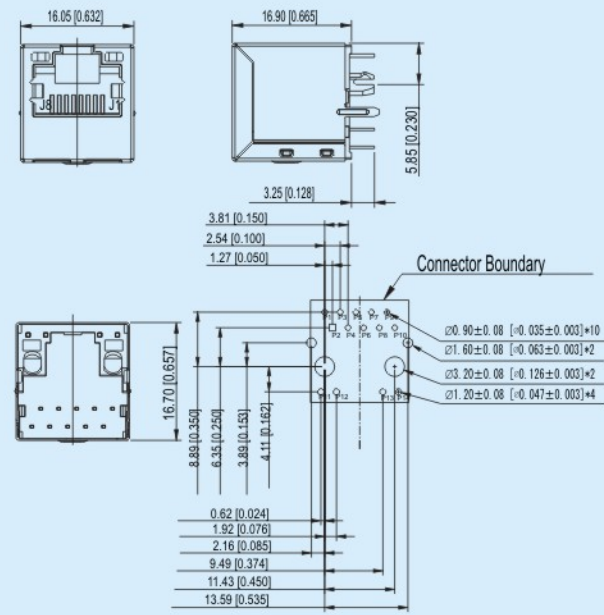
Part No.	Turn Ratio (+/-3%)	LED L/R	Insertion Loss (dB TYP)		Return Loss (dB TYP)				Cross Talk (dB TYP)	CMRR (dB TYP)	Hipot (Vdc Min)	Circuit	Mechanical
			1-100 MHZ	125 MHZ	1-30 MHZ	30-60 MHZ	60-80 MHZ	80-100 MHZ					
JVF110020200	1:1	N/A	-1.0	/	-18	-12	-10	/	-30	-30	2250	F11002	A
JVF110770801	1:1	G/Y	-1.0	/	-18	-12	-10	/	-30	-30	2250	F11077	B
JVF110012504	1:1	Y/G	-1.0	/	-18	-12	-10	/	-30	-30	2250	F11001	C
JVF110690000	1:1	N/A	-1.0	/	-18	-12	-10	/	-30	-30	2250	F11069	D
JVG110050001	1:1	G/Y	-1.0	-1.2	-18	-12	-10	-8	-30	-30	2250	G11005	A
JVG110610017	1:1	G/Y	-1.0	-1.2	-18	-12	-10	-8	-30	-30	2250	G11061	B



Shield, Un-shield, EMI TAP, No EMI TAP, LED, No LED, Post form, Ground Tap position could be as option

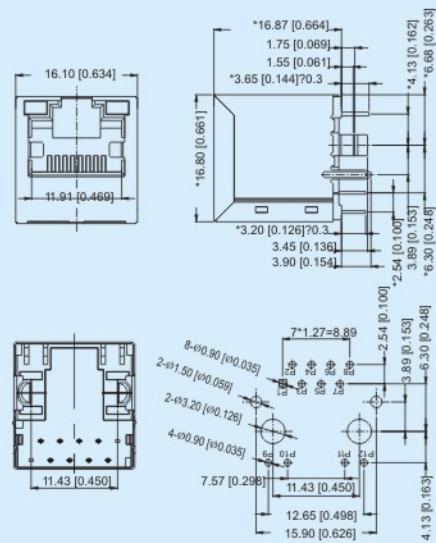


P.C.B RECOMMENDED
HOLE LAYOUT
UNIT:mm

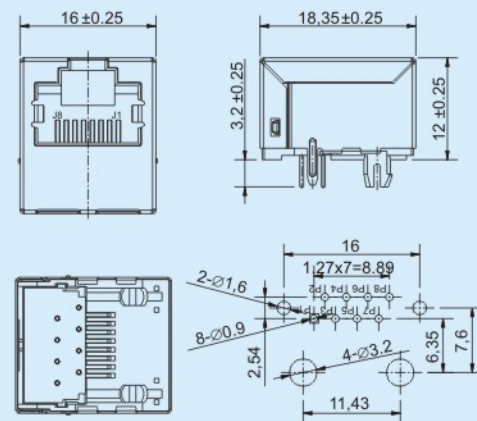


P.C.B RECOMMENDED
HOLE LAYOUT
UNIT:mm

A B
C D



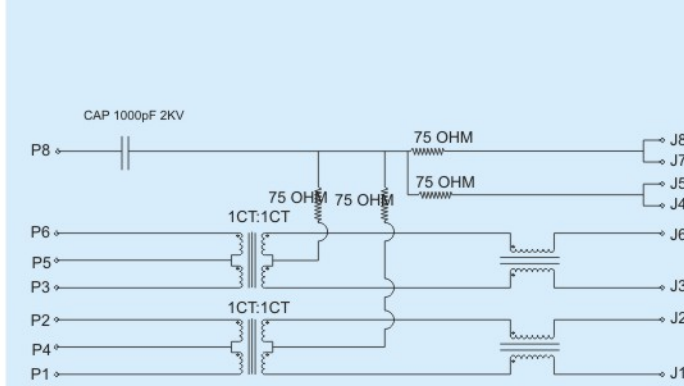
P.C.B RECOMMENDED
HOLE LAYOUT
UNIT:mm



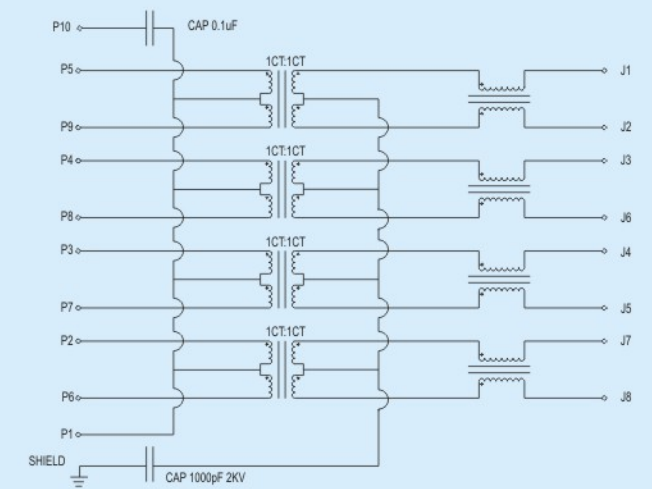
P.C.B RECOMMENDED
HOLE LAYOUT
UNIT:mm

Schematics

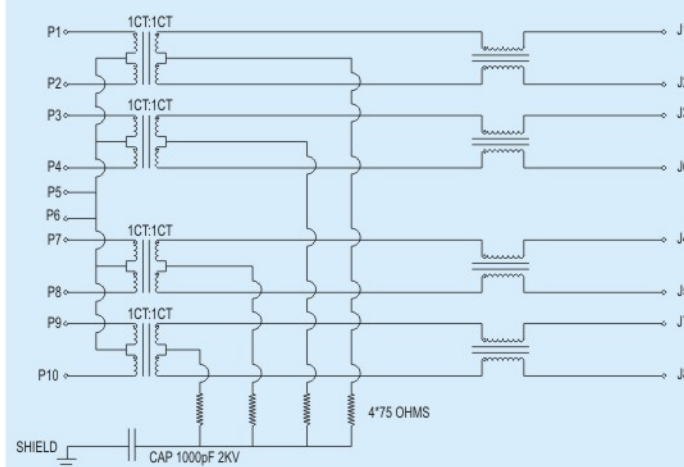
F11001/F11002/F11069/F11077



G11005



G11061



CZT ICM connector 2XN Stack Jack- 10/100&1000 Base-T

10/100&1000 Base-T RJ45 2xN Stack Jack Integrated Connector Module designed to support such applications as: Routers, Servers, Hub, Hub and Switches.



Features and Benefits:

- RoHS peak wave solder temperature rating 260°C
- Suitable for CAT 5 & 6 Fast Ethernet Cable or better UTP

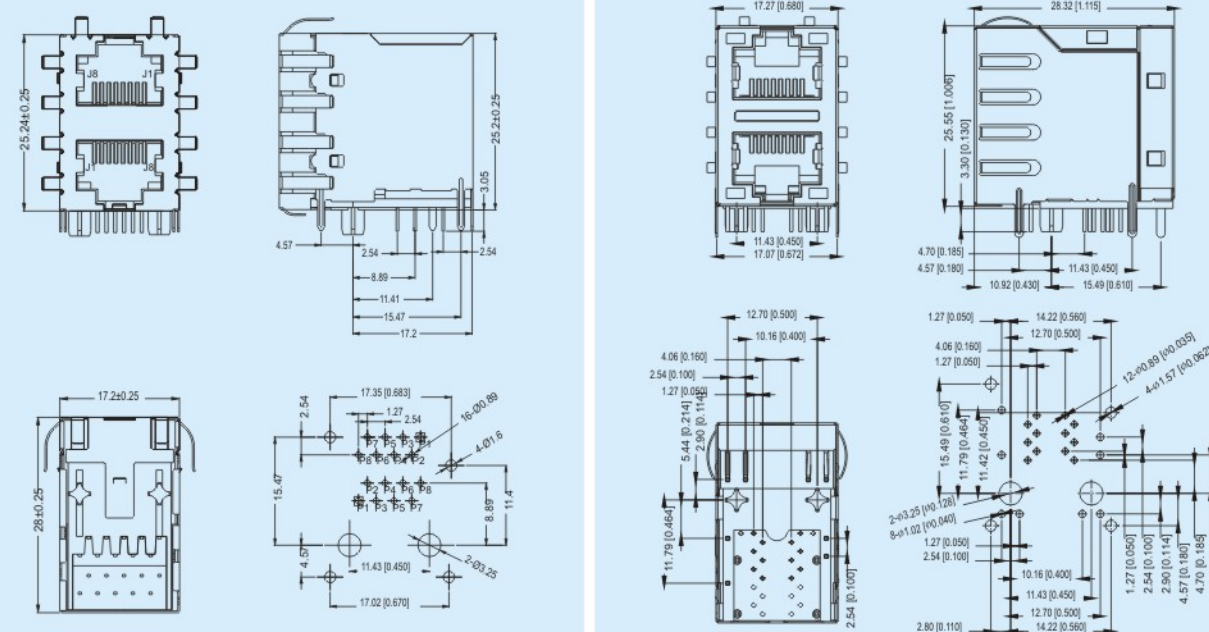
Electrical Performance Summary:

- Meets IEEE 802.3 specification
- 350µH minimum OCL with 8mA DC bias current
- High performance for maximum EMI suppression

Electrical specifications@25°C-Operating temperature 0°C~+70°C

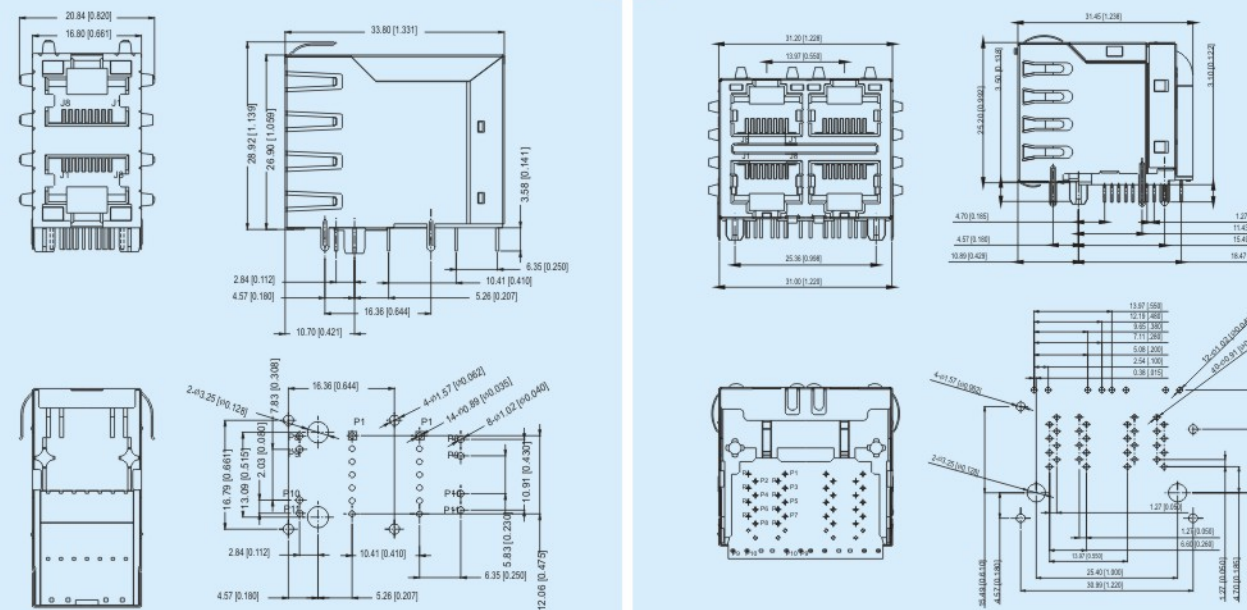
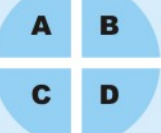
Part No.	Turn Ratio (+/-2%)	LED L/R	Insertion Loss (dB TYP)		Return Loss (dB TYP)				Cross Talk (dB TYP)	CMRR (dB TYP)	Hipot (Vdc Min)	Circuit	Mechanical
			1-100 MHZ	125 MHZ	1-30 MHZ	30-60 MHZ	60-80 MHZ	80-100 MHZ					
JDF210640217	1:1	G/Y	-1.0	/	-18	-12	-10	/	-30	-30	2250	F21064	K
JDF240490304	1:1	Y/G	-1.0	/	-18	-12	-10	/	-30	-30	2250	F24049	L
JDF210690101	1:1	G/Y	-1.0	/	-18	-12	-10	/	-30	-30	2250	F21069	B
JDF210041201	1:1	G/Y	-1.0	/	-18	-12	-10	/	-30	-30	2250	F21004	C
JDF210030200	1:1	N/A	-1.0	/	-18	-12	-10	/	-30	-30	2250	F21003	A
JDF240030600	1:1	N/A	-1.0	/	-18	-12	-10	/	-30	-30	2250	F24003	E
JDF280030100	1:1	NA	-1.0	/	-18	-12	-10	/	-30	-30	2250	F28003	G
JDF220361247	1:1	Y/G&O	-1.0	/	-18	-12	-10	/	-30	-30	2250	F22036	D
JDF280360139	1:1	G&Y/G&Y	-1.0	/	-18	-12	-10	/	-30	-30	2250	F28036	J
JDF260620000	1:1	N/A	-1.0	/	-18	-12	-10	/	-30	-30	2250	F26062	F
JDG220370131	1:1	G&O/G&O	-1.0	-1.2	-18	-12	-10	-8	-30	-30	2250	G22037	D
JDG240370131	1:1	G&O/G&O	-1.0	-1.2	-18	-12	-10	-8	-30	-30	2250	G24037	H
JDG260370131	1:1	G&O/G&O	-1.0	-1.2	-18	-12	-10	-8	-30	-30	2250	G26037	I
JDG280370131	1:1	G&O/G&O	-1.0	-1.2	-18	-12	-10	-8	-30	-30	2250	G28037	J
JDG211010003	1:1	G&Y/G&Y	-1.0	-1.2	-18	-12	-10	-8	-30	-30	2250	G21101	K
JDG241010004	1:1	Y/G	-1.0	-1.2	-18	-12	-10	-8	-30	-30	2250	G24101	L
JDG261010004	1:1	Y/G	-1.0	-1.2	-18	-12	-10	-8	-30	-30	2250	G26101	M
JDG281010301	1:1	G/Y	-1.0	-1.2	-18	-12	-10	-8	-30	-30	2250	G28101	N
JDC240630168	1:1	G&Y/G&Y	-1.0	-1.2	-18	-12	-10	-8	-30	-30	2250	C24063	O
JDD280880142	1:1	G&Y/G&Y	-1.0	-1.2	-18	-12	-10	-8	-30	-30	2250	D28088	Q
JDD260850039	1:1	G&Y/G&Y	-1.0	-1.2	-18	-12	-10	-8	-30	-30	2250	D26085	P
JDG240830439	1:1	G&Y/G&Y	-1.0	-1.2	-18	-12	-10	-8	-30	-30	2250	G24083	H

Shield, Un-shield, EMI TAP, No EMI TAP, LED, No LED, Post form, Ground Tap position could be as option



P.C.B RECOMMENDED HOLE LAYOUT UNIT:mm

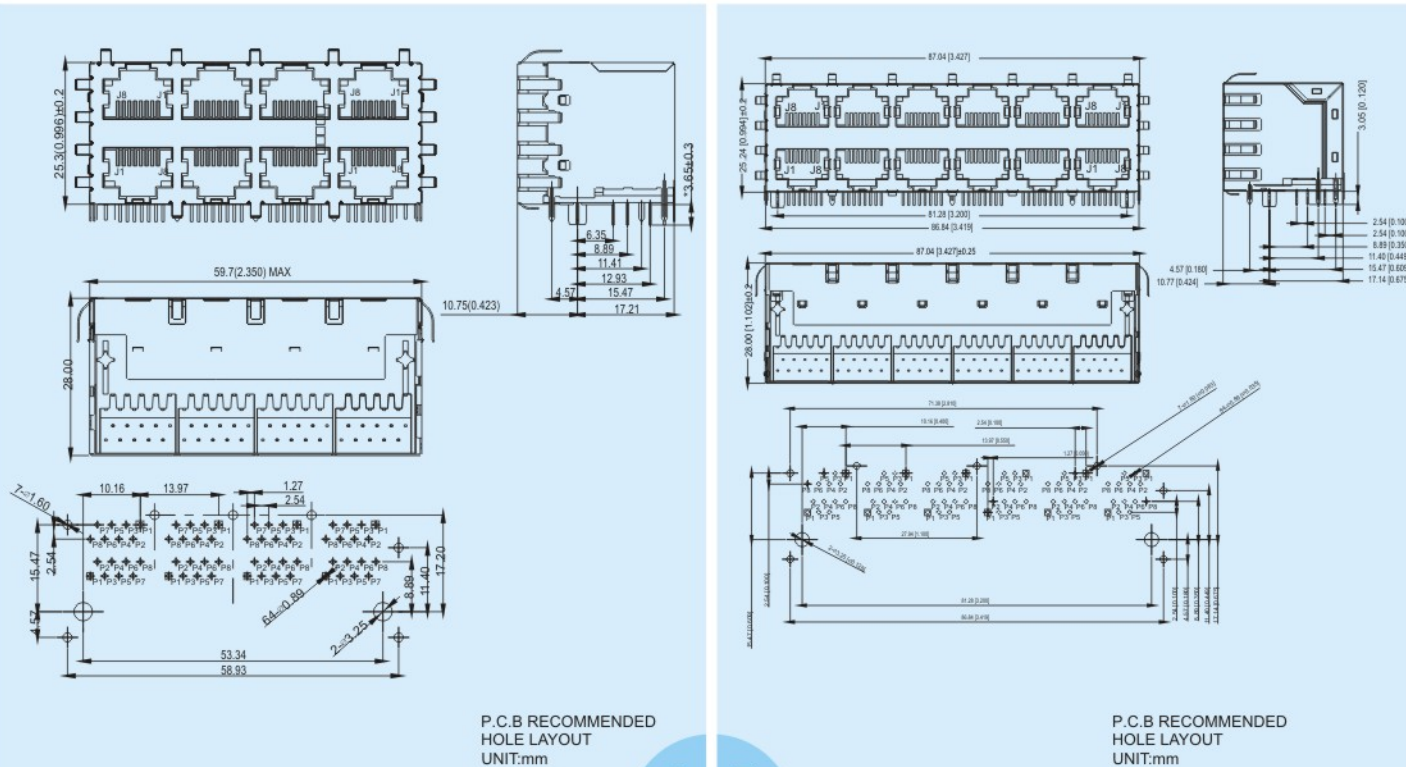
P.C.B RECOMMENDED HOLE LAYOUT UNIT:mm



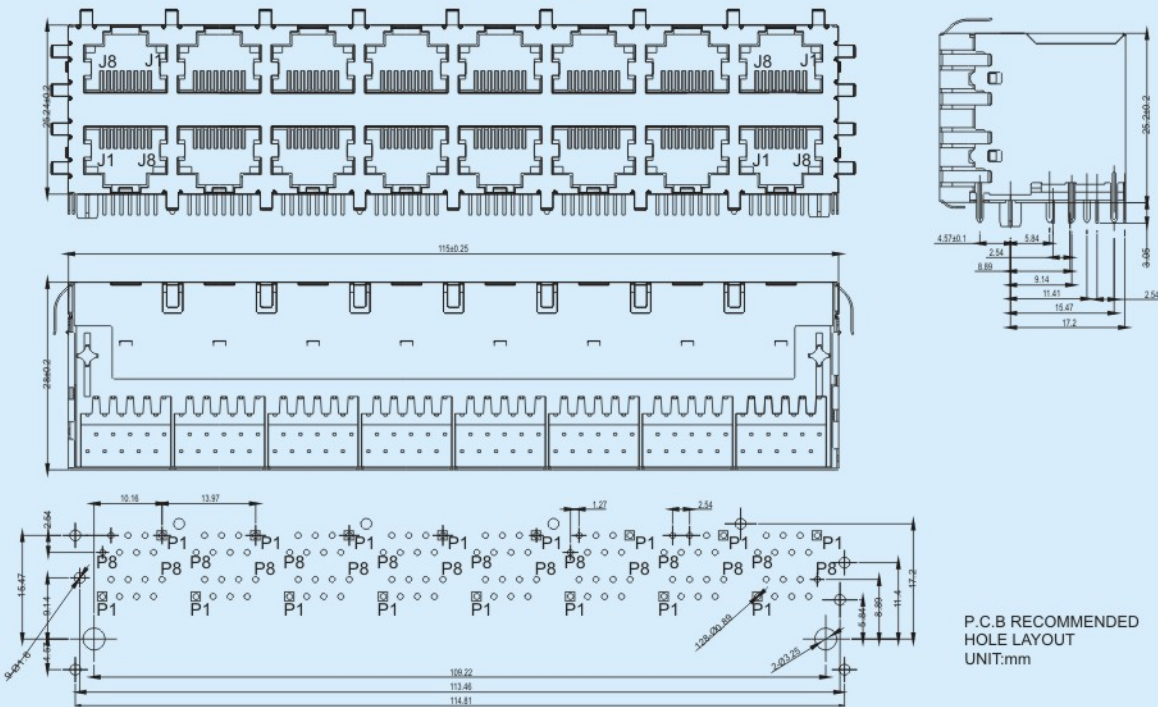
P.C.B RECOMMENDED HOLE LAYOUT UNIT:mm

P.C.B RECOMMENDED HOLE LAYOUT UNIT:mm

Shield, Un-shield, EMI TAP, No EMI TAP, LED, No LED, Post form, Ground Tap position could be as option

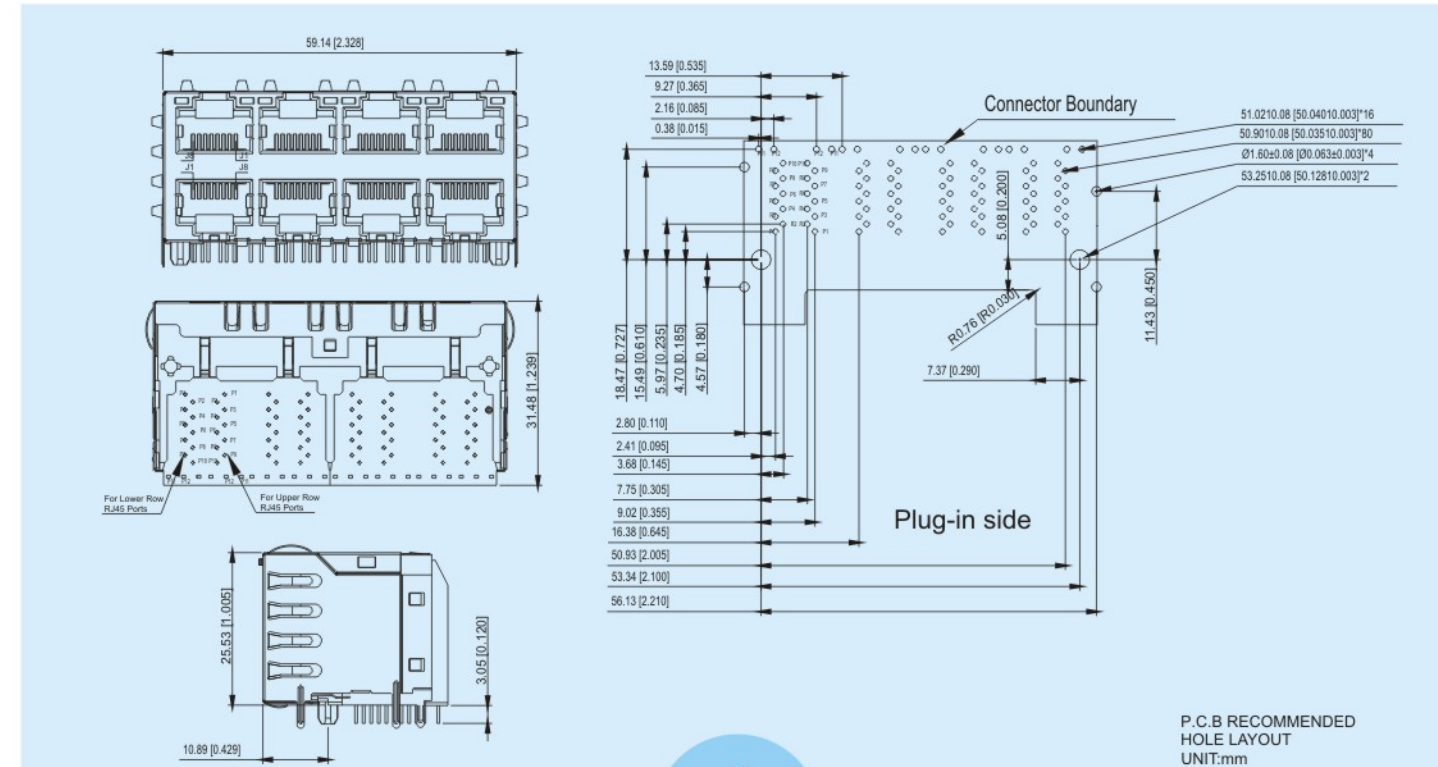


E
F
G

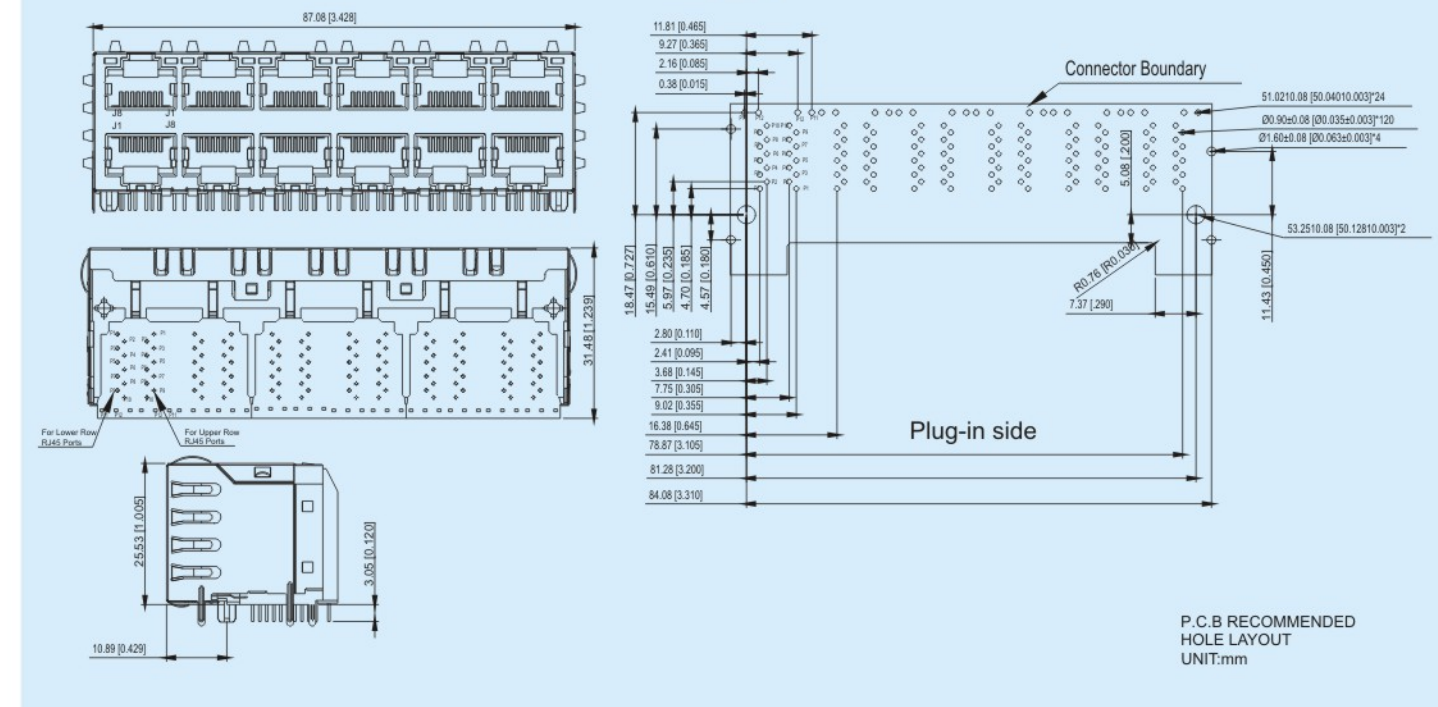


G

Shield, Un-shield, EMI TAP, No EMI TAP, LED, No LED, Post form, Ground Tap position could be as option

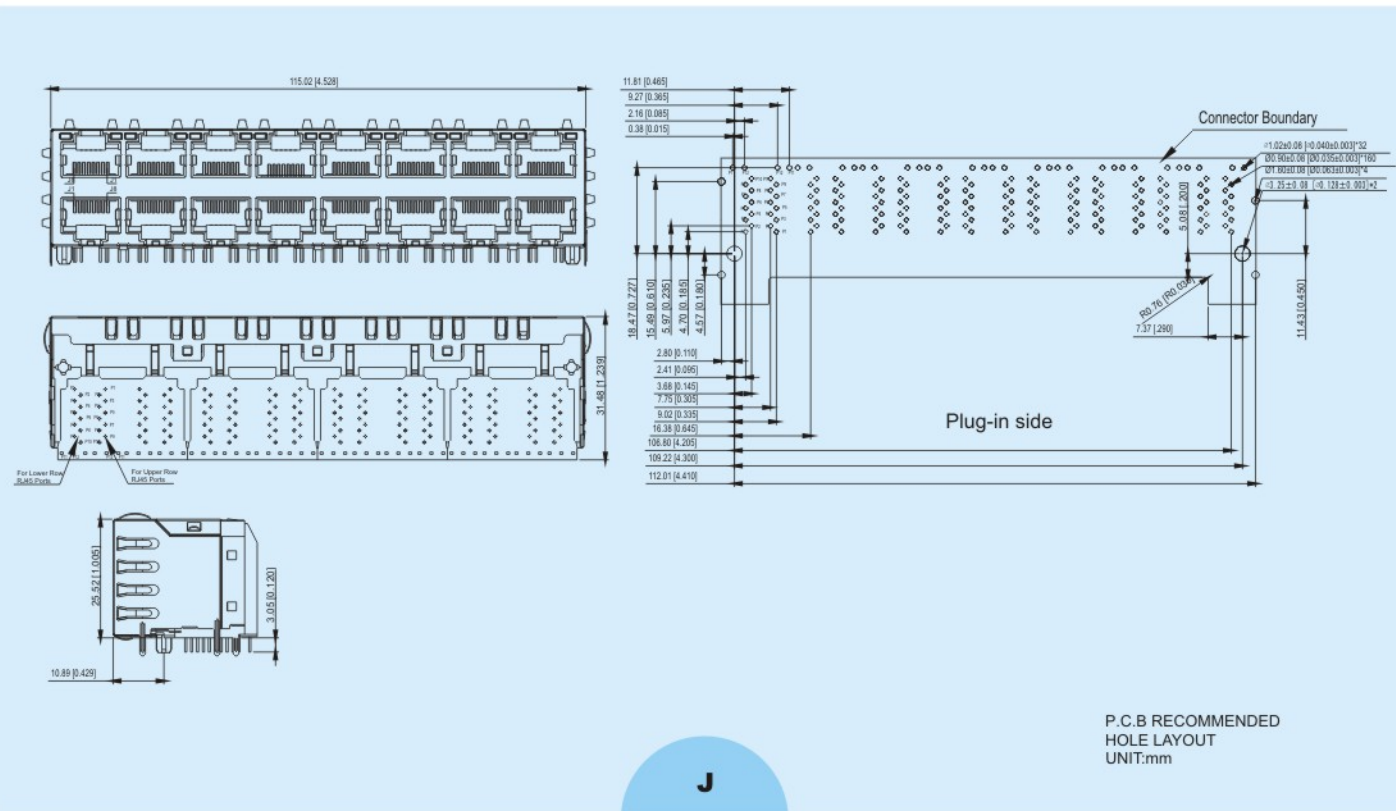


H
I

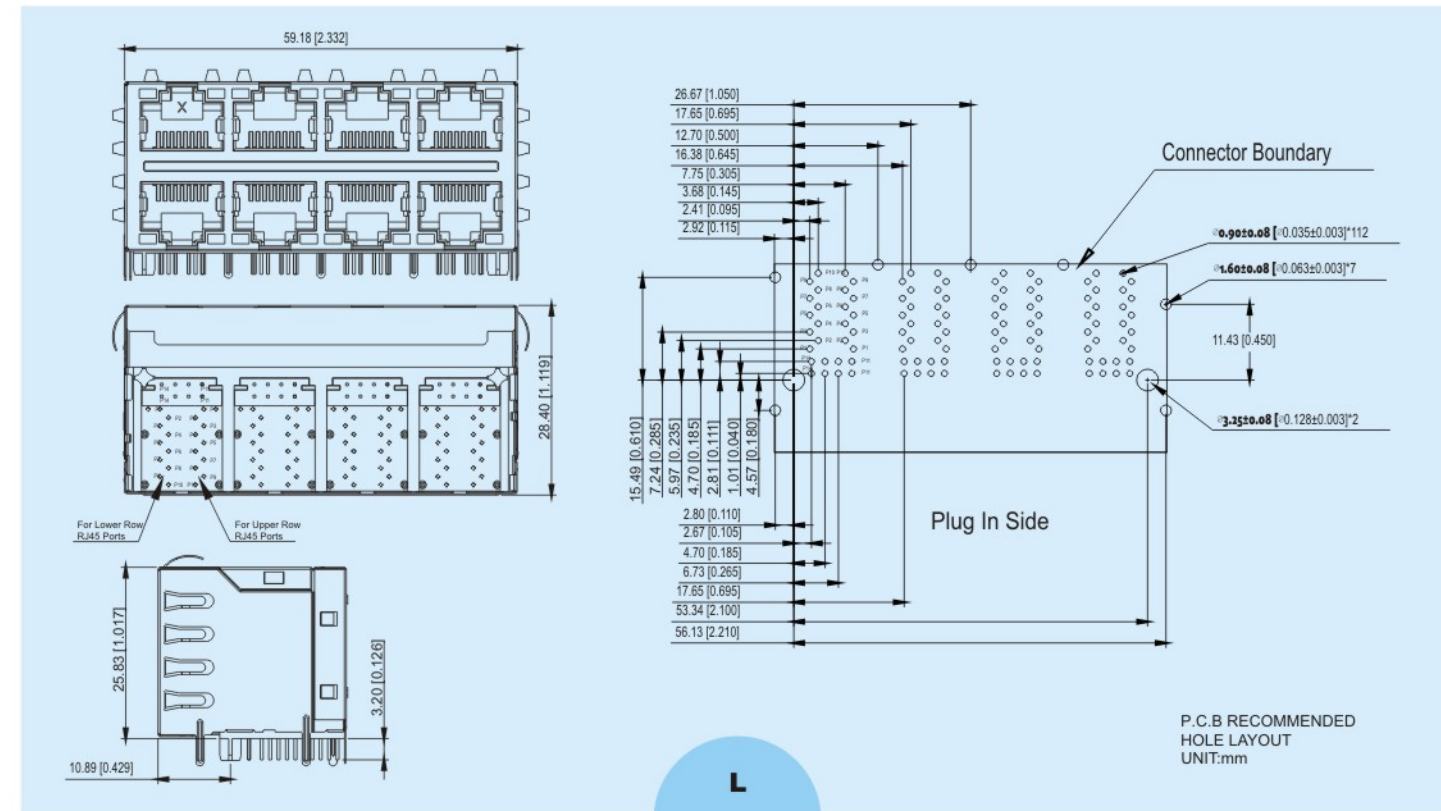


I

Shield, Un-shield, EMI TAP, No EMI TAP, LED, No LED, Post form, Ground Tap position could be as option

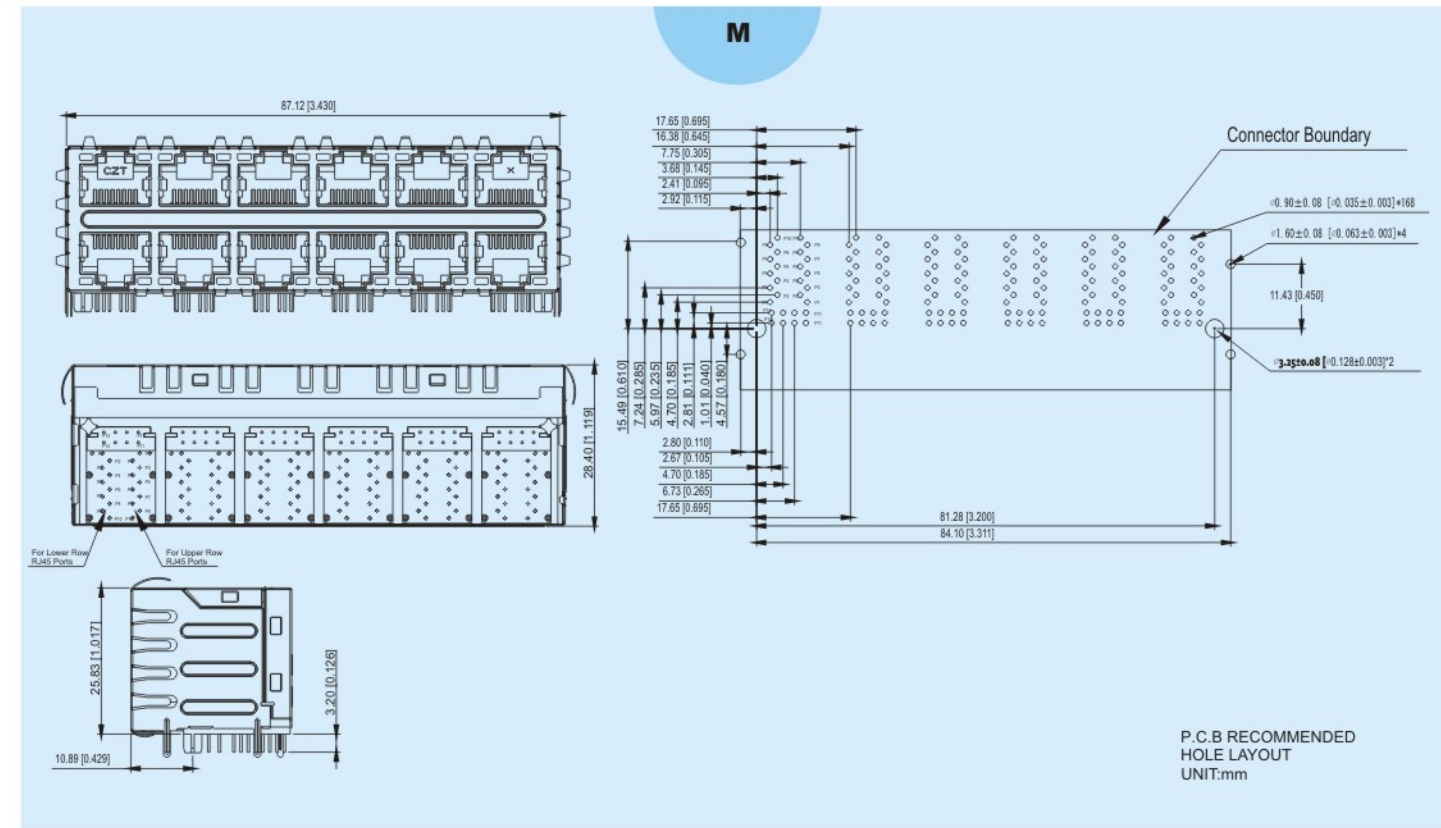
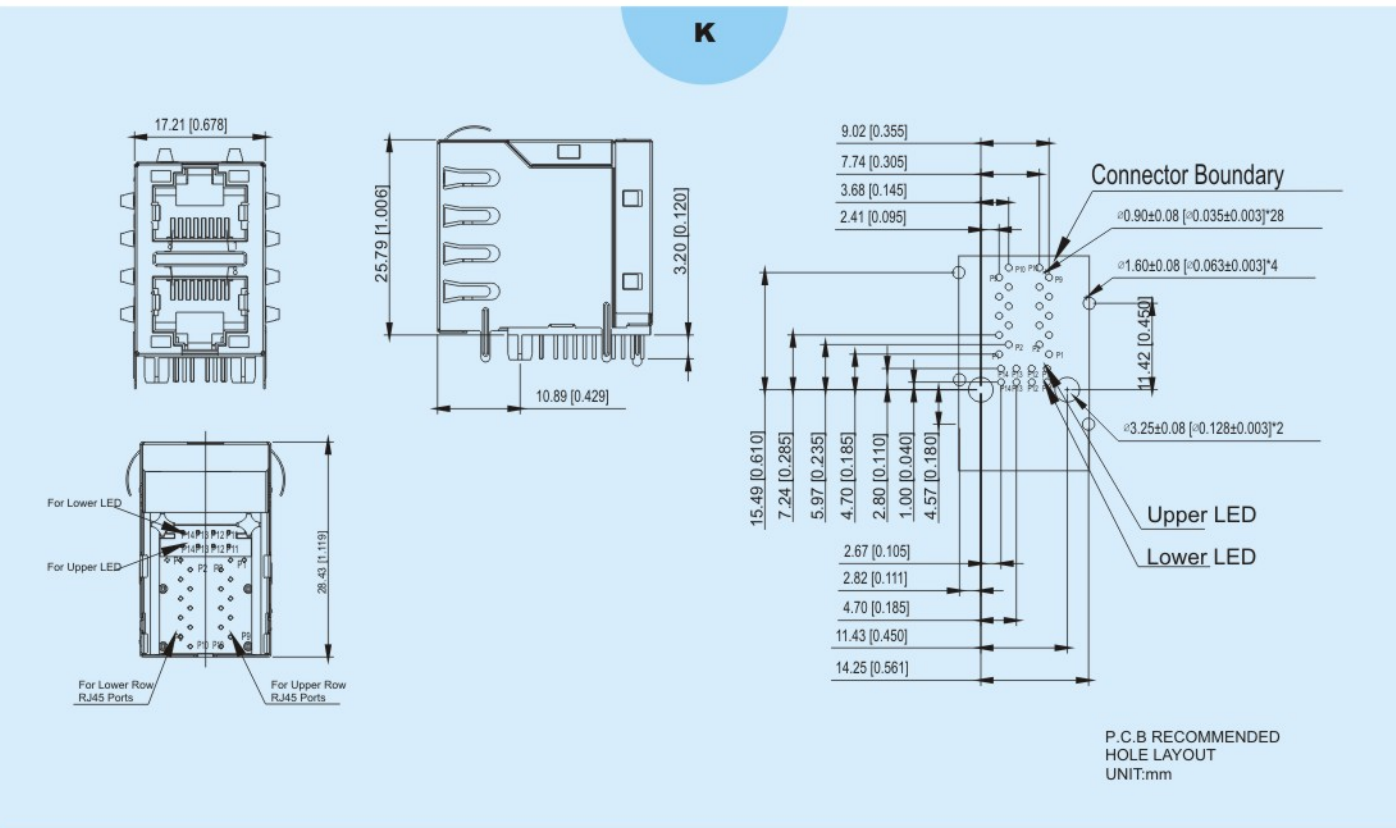


Shield, Un-shield, EMI TAP, No EMI TAP, LED, No LED, Post form, Ground Tap position could be as option



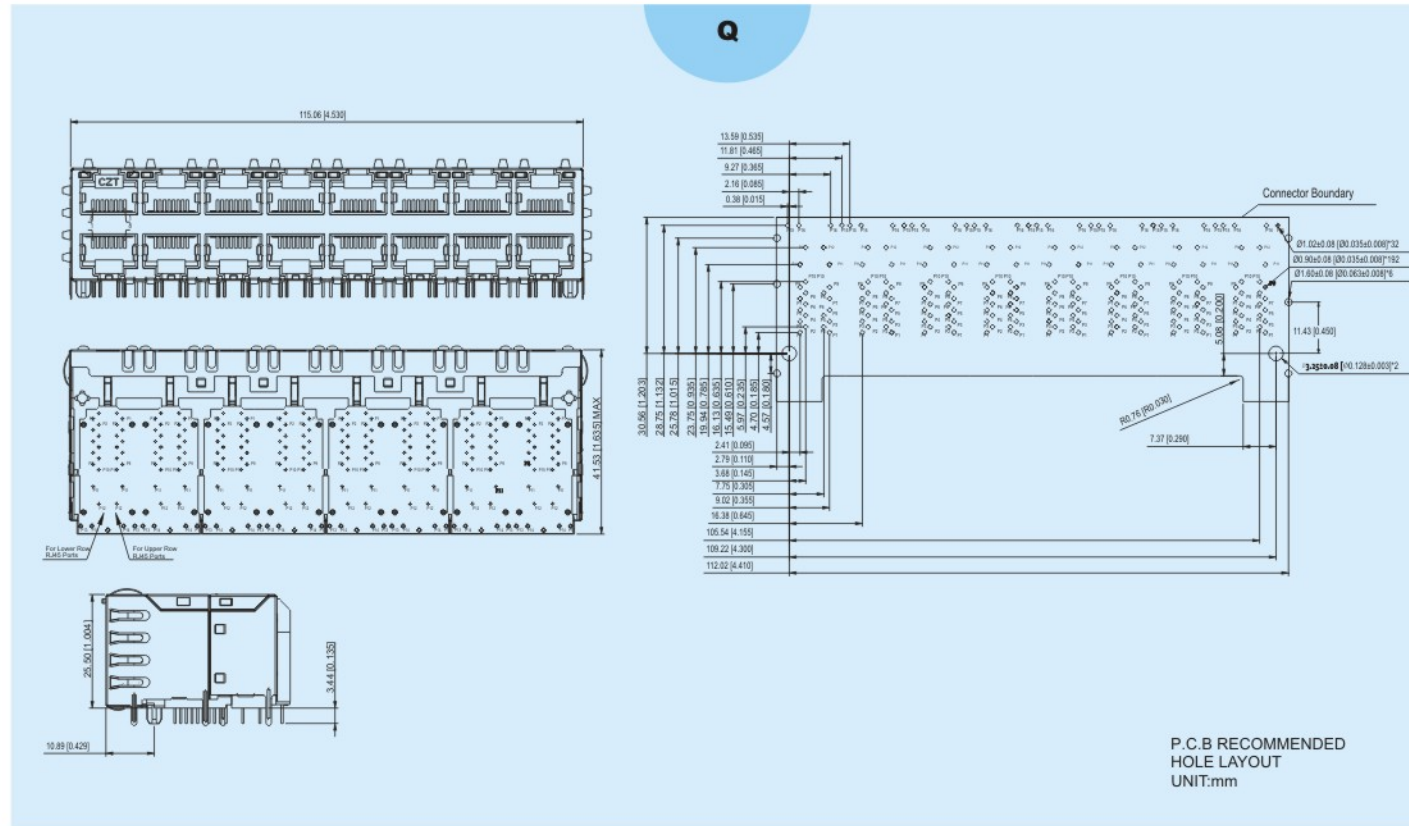
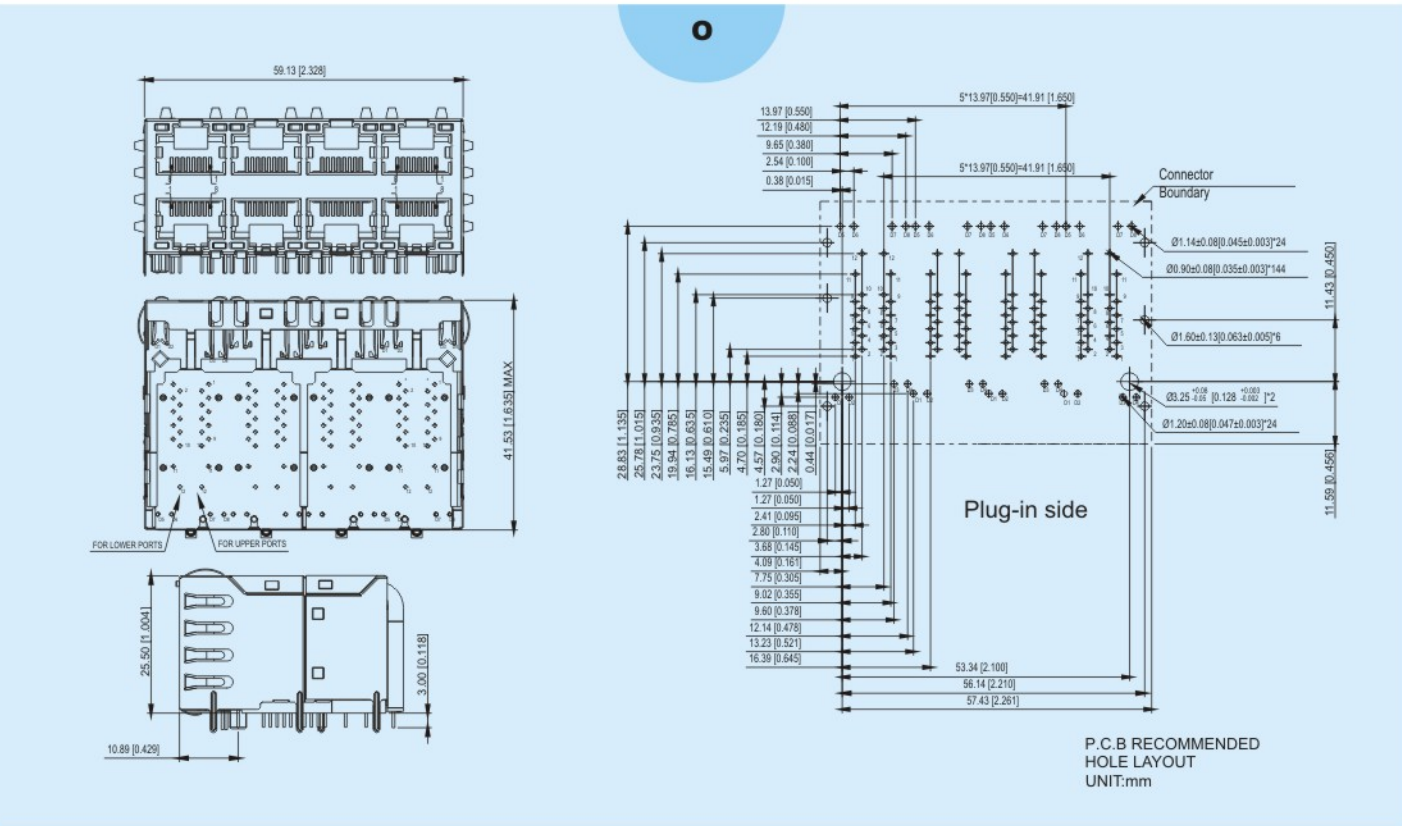
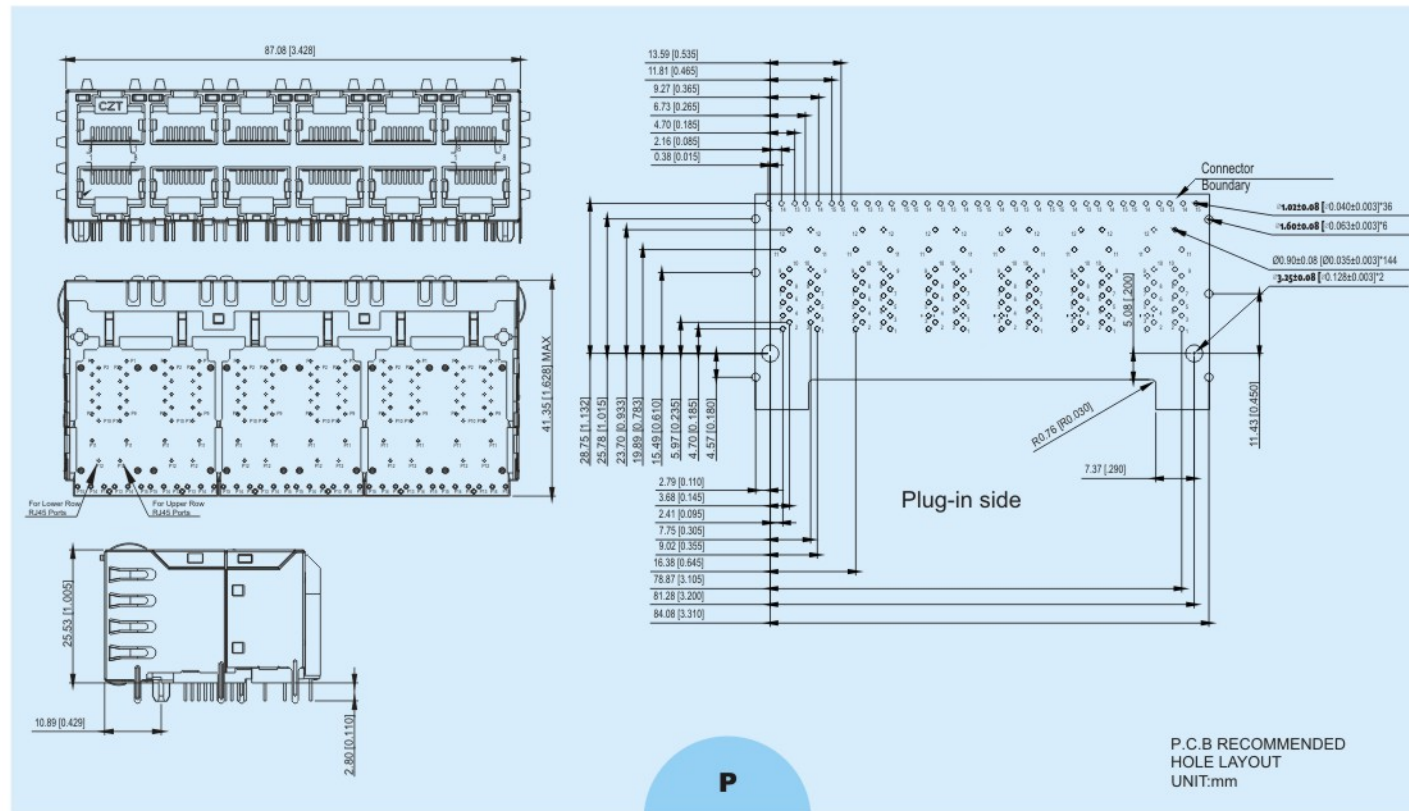
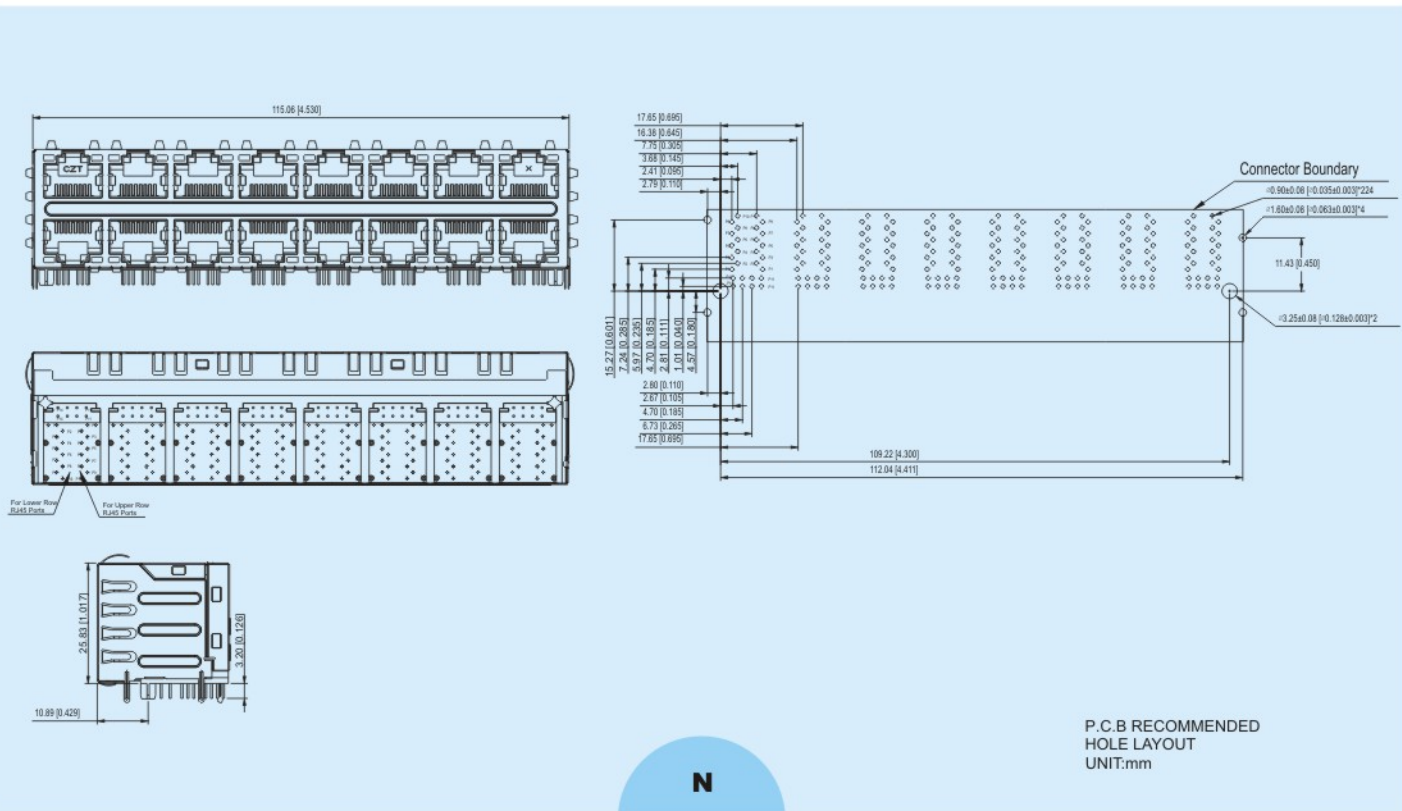
J
K

L
M



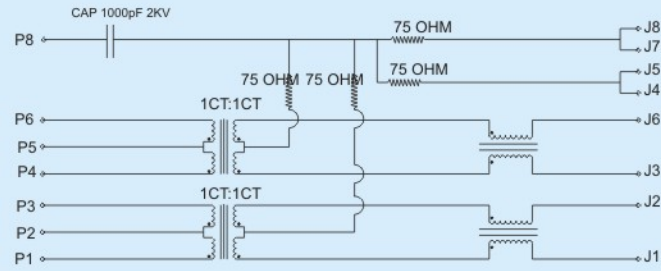
Shield, Un-shield, EMI TAP, No EMI TAP, LED, No LED, Post form, Ground Tap position could be as option

Shield, Un-shield, EMI TAP, No EMI TAP, LED, No LED, Post form, Ground Tap position could be as option

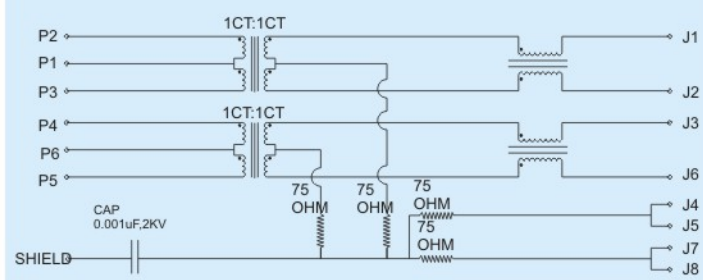


Schematics

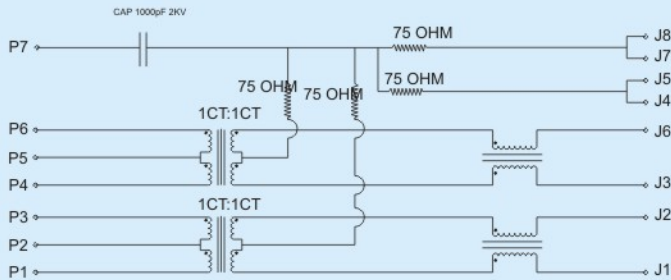
F21003/F24003/F26003/F28003



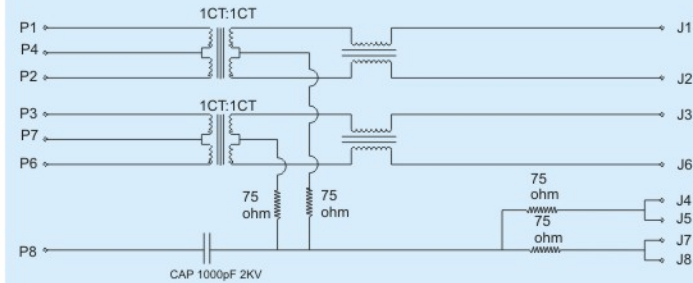
F21069



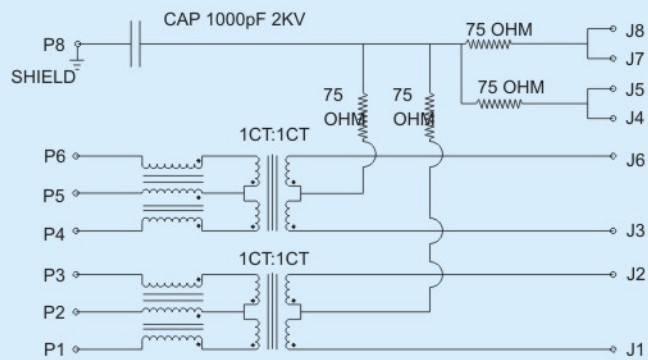
F21004



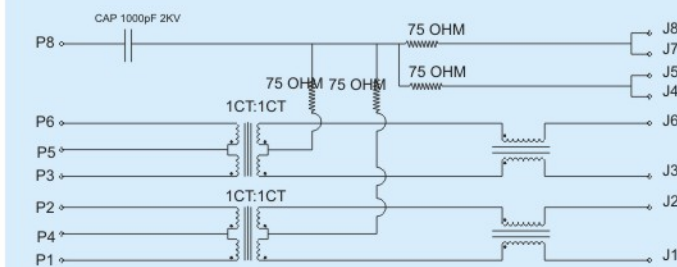
F22036/F28036



F26062

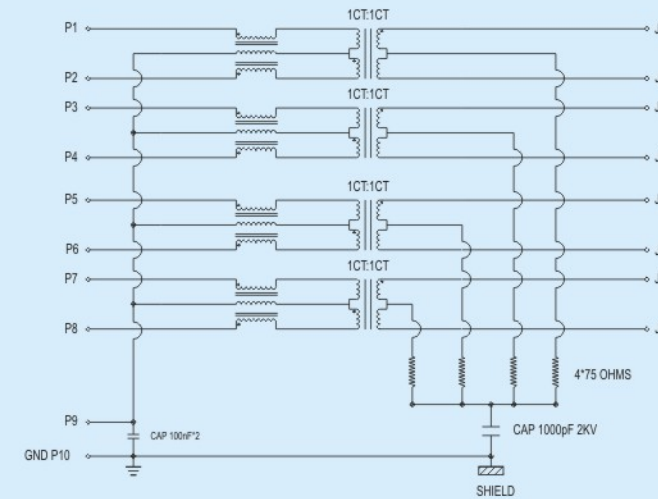


F21064/F24049

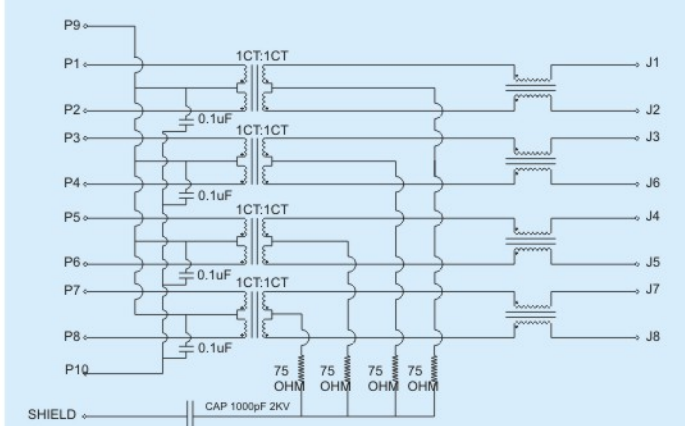


Schematics

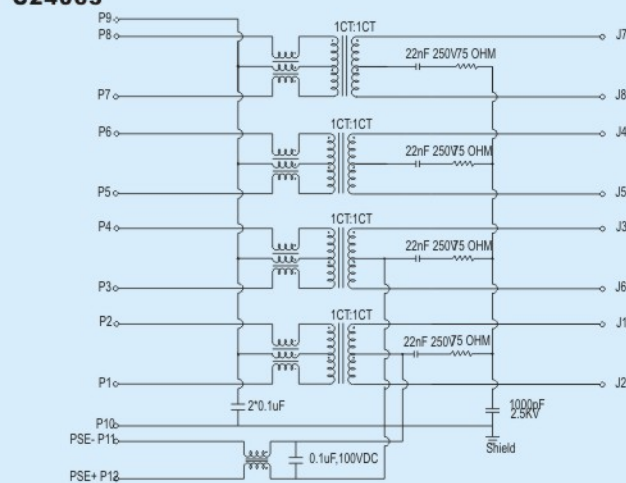
G22037/G24037/G26037/G28037



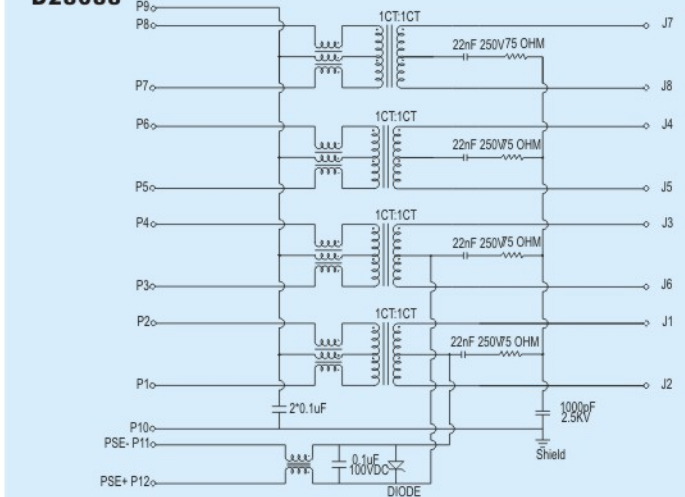
G21101/G24101/G26101/G28101



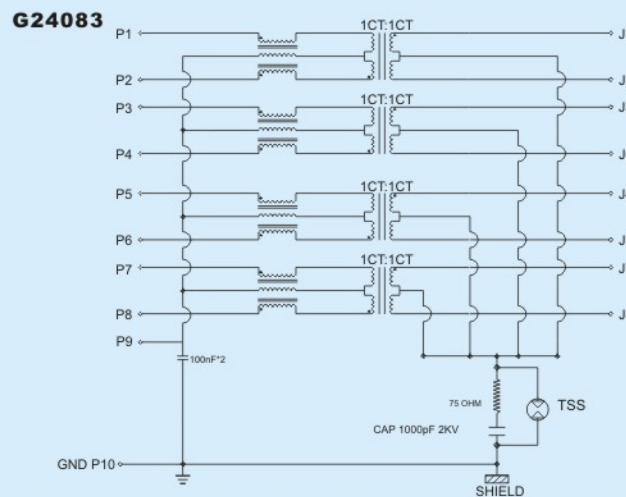
C24063



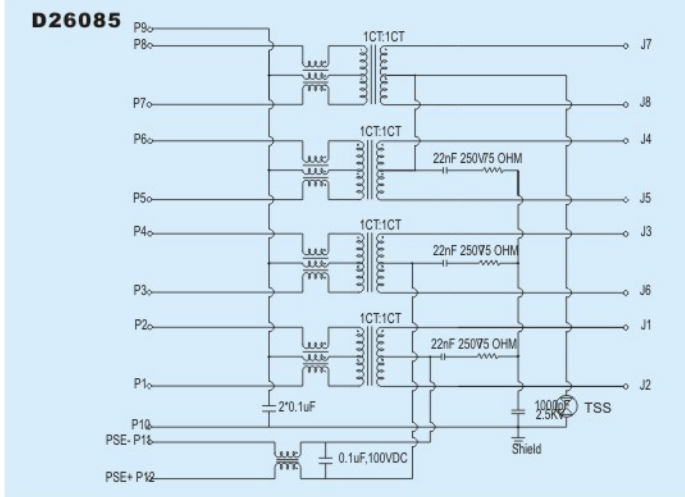
D28088



G24083



D26085



CZT ICM connector RJ45+USB/HDMI - 10/100 Base-T

10/100 Base-T RJ45+USB/HDMI Integrated Connector Module designed to support such applications as: LAN-on-Motherboard (LOM) and PC applications.



Features and Benefits:

- RoHS peak wave solder temperature rating 260°C
- Suitable for CAT 5 & 6 Fast Ethernet Cable or better UTP

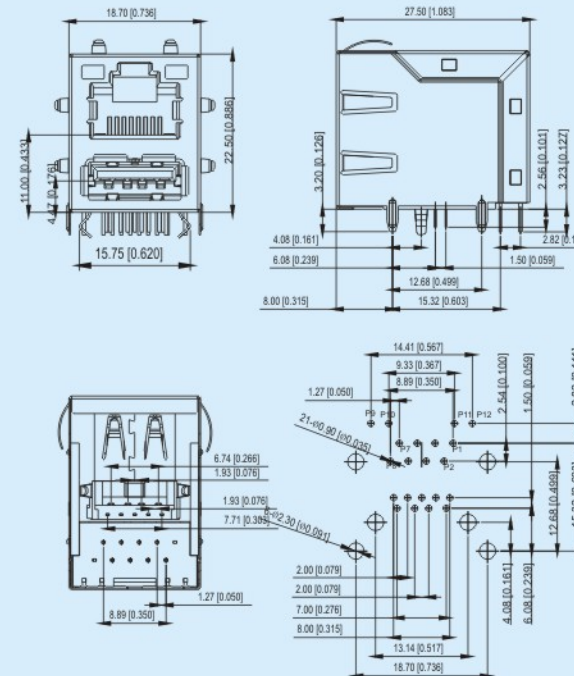
Electrical Performance Summary:

- Meets IEEE 802.3 specification
- 350µH minimum OCL with 8mA DC bias current
- High performance for maximum EMI suppression

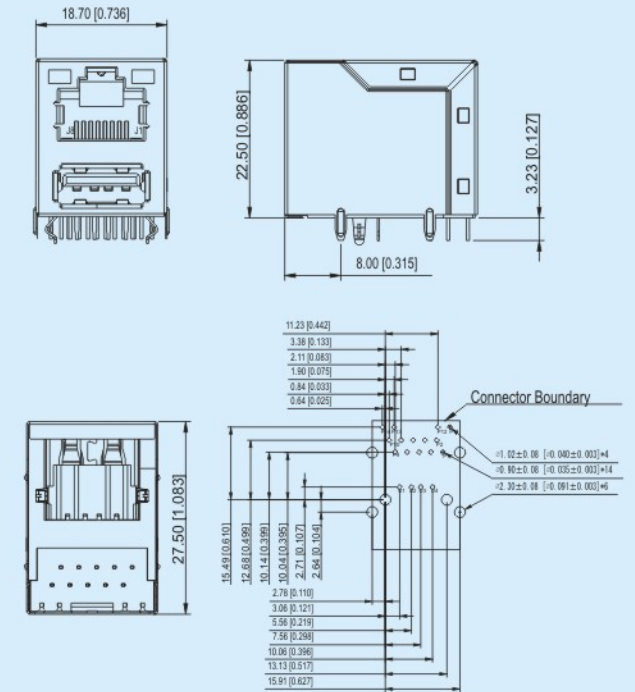
Electrical specifications@25°C-Operating temperature 0°C~+70°C

Part No.	Turn Ratio (+/-3%)	LED L/R	Insertion Loss (dB TYP)		Return Loss (dB TYP)				Cross Talk (dB TYP)	CMRR (dB TYP)	Hipot (Vdc Min)	Circuit	Mechanical
			1-100 MHZ	125 MHZ	1-30 MHZ	30-60 MHZ	60-80 MHZ	80-100 MHZ					
JBF110421807	1:1	G/G	-1.0	/	-18	-14	-10	/	-30	-30	1500	F11042	C
JBF110700301	1:1	G/Y	-1.0	/	-18	-14	-10	/	-30	-30	1500	F11070	A
JBF111100022	1:1	Y/G&O	-1.0	/	-18	-14	-10	/	-30	-30	1500	F11110	F
JBF111010004	1:1	Y/G	-1.0	/	-18	-14	-10	/	-30	-30	1500	F11101	D
JBF110760001	1:1	G/Y	-1.0	/	-18	-14	-10	/	-30	-30	1500	F11076	E
JHN110070000	1:1	NA	-1.0	/	-18	-14	-10	/	-30	-30	1500	N11007	G
JHF110010601	1:1	G/Y	-1.0	/	-18	-14	-10	/	-30	-30	1500	F11001	H
JBGU10170227	1:1	Y/G	-1	-1.2	-18	-12	-10	-8	-30	-30	1500	GU1017	D
JBGU10490013	1:1	G&O/Y	-1	-1.2	-18	-12	-10	-8	-30	-30	1500	GU1049	B
JBG110710101	1:1	G/Y	-1	-1.2	-18	-12	-10	-8	-30	-30	1500	G11071	A
JBG110740801	1:1	G/Y	-1	-1.2	-18	-12	-10	-8	-30	-30	1500	G11074	E

Shield, Un-shield, EMI TAP, No EMI TAP, LED, No LED, Post form, Ground Tap position could be as option



P.C.B RECOMMENDED HOLE LAYOUT UNIT:mm



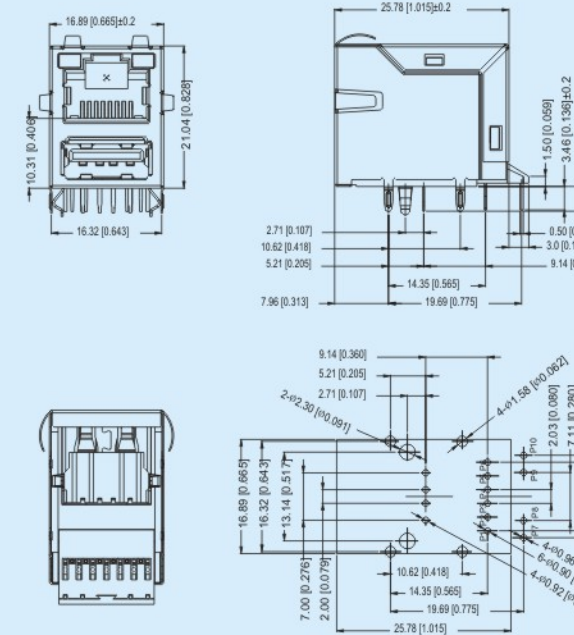
P.C.B RECOMMENDED HOLE LAYOUT UNIT:mm

A

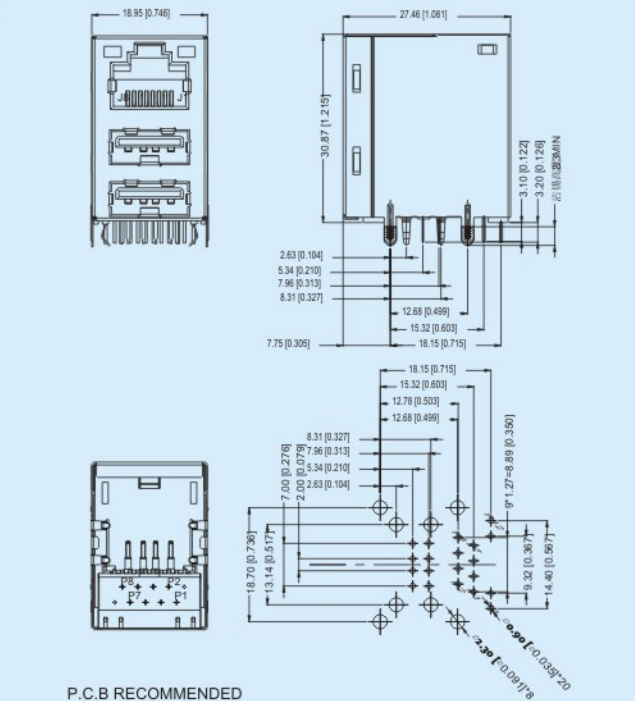
B

C

D

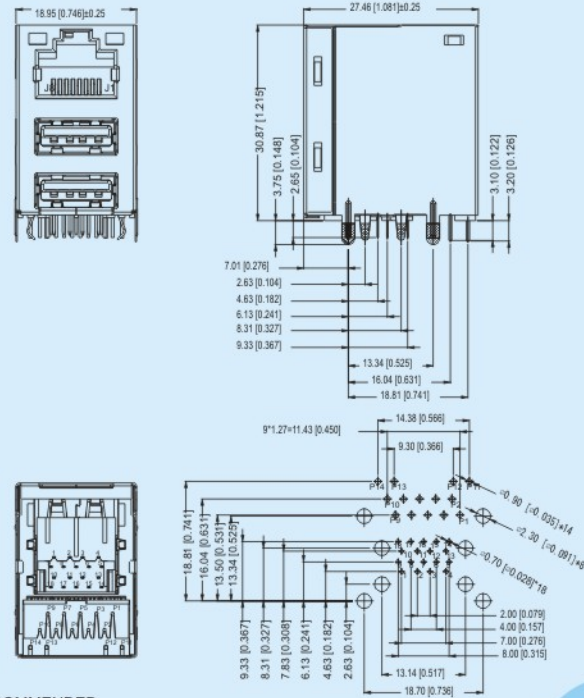


P.C.B RECOMMENDED HOLE LAYOUT UNIT:mm



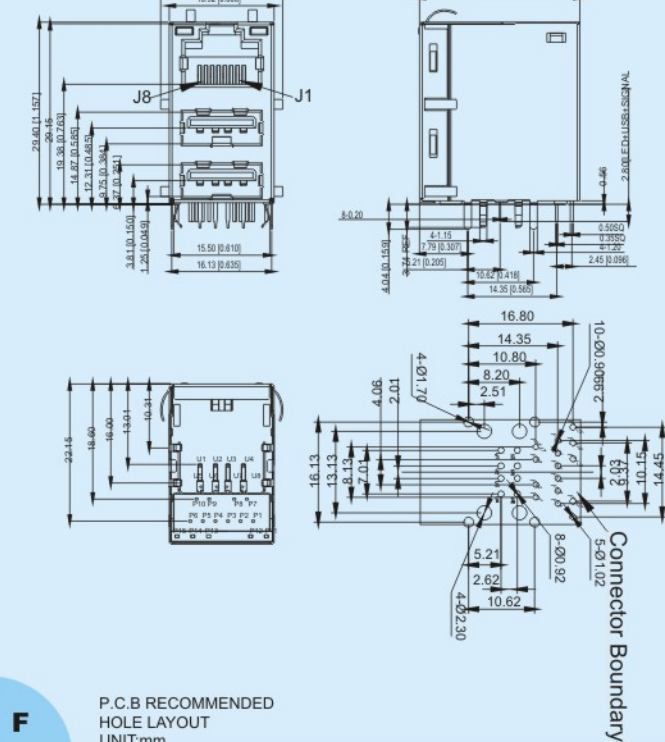
P.C.B RECOMMENDED HOLE LAYOUT UNIT:mm

Shield, Un-shield, EMI TAP, No EMI TAP, LED, No LED, Post form, Ground Tap position could be as option



P.C.B RECOMMENDED
HOLE LAYOUT
UNIT:mm

E

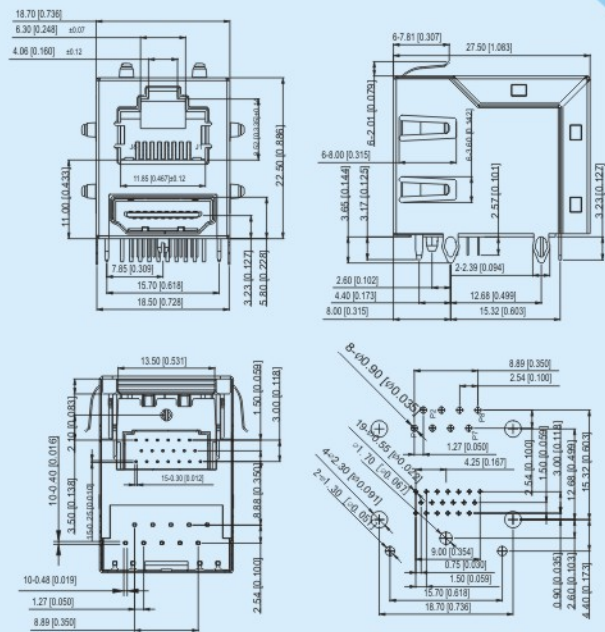


P.C.B RECOMMENDED
HOLE LAYOUT
UNIT:mm

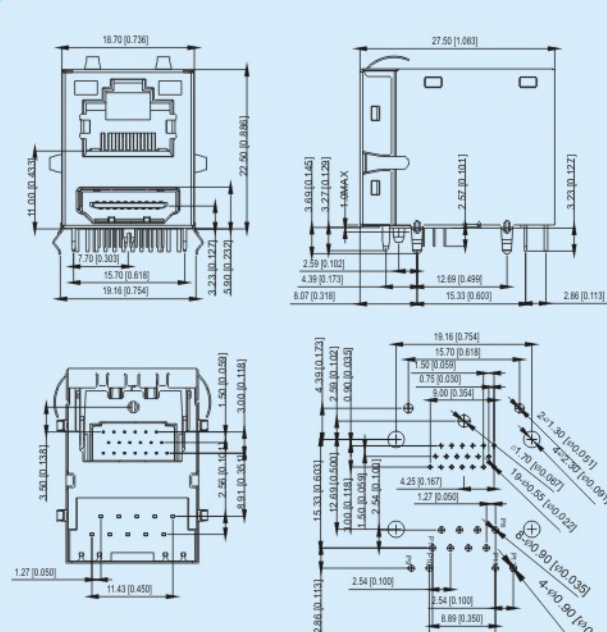
F

G

H



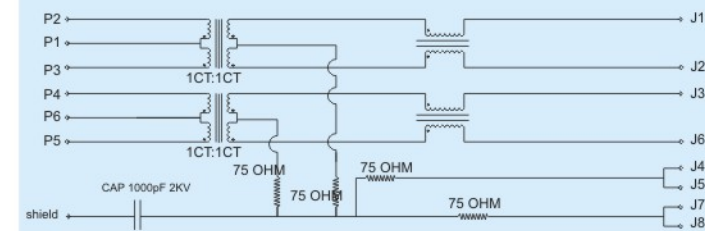
P.C.B RECOMMENDED
HOLE LAYOUT
UNIT:mm



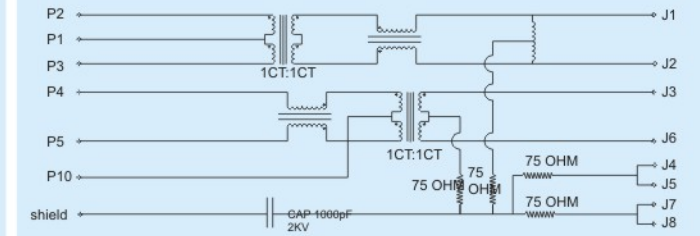
P.C.B RECOMMENDED
HOLE LAYOUT
UNIT:mm

Schematics

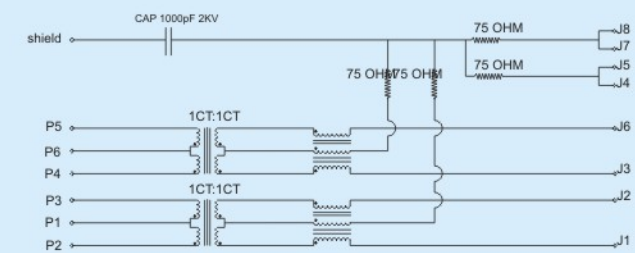
F11001/F11042/F11070/F11110



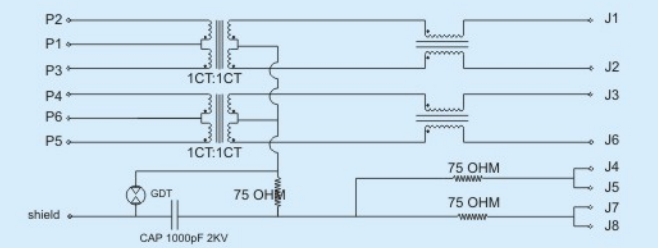
F11076



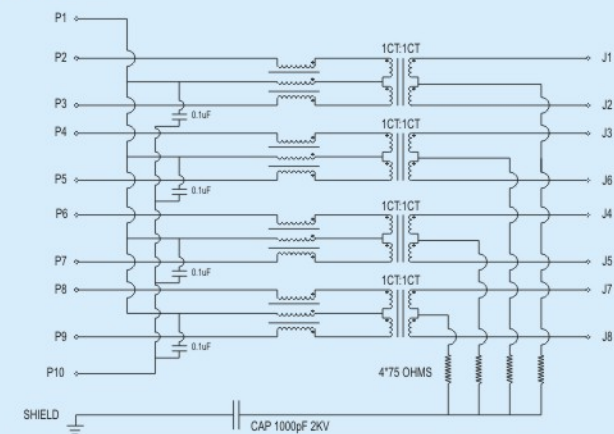
F11101



N11007



GU1017



GU1049/G11071/G11074

